

ONE TOUCH PUSH OPENING AND SOFT CLOSING DOOR SYSTEM



Installation Guide JKV15L /JKV15H

Print at actual side

Attention:

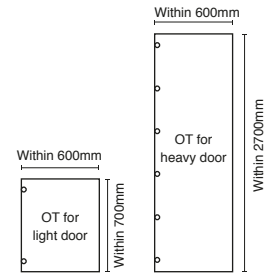
- 1.- Before using this product, please read the function introduction and operation manual carefully, and use it according to the correct method.
- 2.-In case of any abnormality in the process of using the product, please ask the professional installation personnel or the manufacturer for help in time.
- 3.-It is forbidden to disassemble this product by non professional personnel. Unauthorized disassembly of this product may cause accidental injury
- 4.-Our company will not be responsible for any abnormality or accident caused by failure to operate according to the operation instructions.

Heavy door type:
 Wood door: loading weight within 20 Kgs
 (Recommended size: within 2700mmx600mm)
 Aluminum frame door: loading weight within 25 Kgs
 (Recommended size: with 2700mmx600mm)
 Light door type: loading weight with 7.5 Kgs
 (Recommended size: within 700mmx600mm)

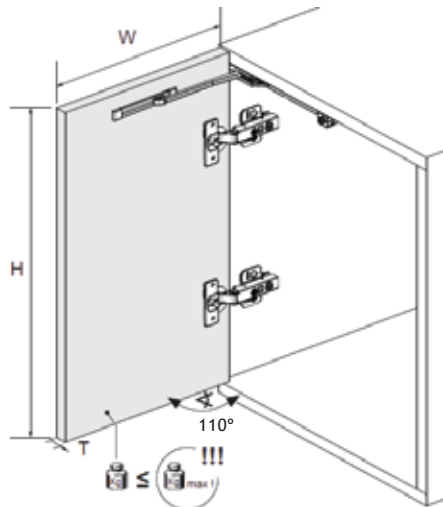
Type of hinge adopted for OT-One touch push self opening and soft closing door system:

This product must be matched with the hinge without damper and spring.

The door opening angle of this product matched with hinge should be less than 110°



Cabinet Requirement



kg	JKV15L	JKV15H	
		Wood door	Aluminum frame door
	≤ 7.5 Kg	≤ 20 Kg	≤ 25 Kg
W	≤ 600mm	≤ 600mm	
H	≤ 700mm	≤ 2700mm	
∠	≤ 110°		

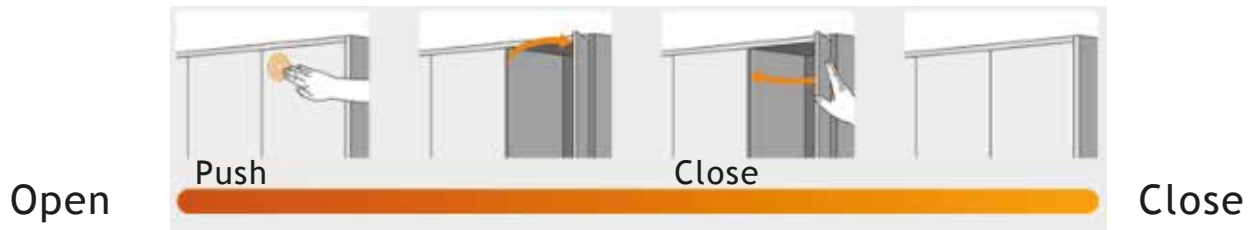
ONE TOUCH PUSH OPENING AND SOFT CLOSING DOOR SYSTEM



Installation Guide

Print at actual size

JKV15L /JKV15H

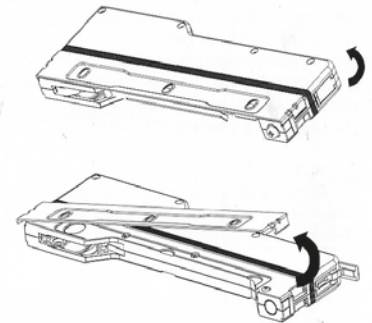


1 Check whether the accessories are complete according to the following list, and carefully read and follow the contents of the warning label!

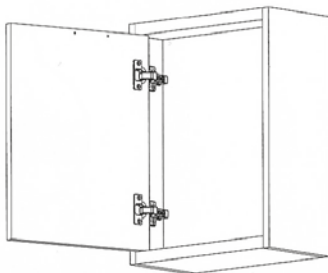
Accessory Name	Sketch	Quantity
OT main part accessory		1
Chute accessory		1
Wooden screw M4x16		6

Accessory Name	Sketch	Quantity
Pan head wood screw M4X14		2
Activator cover		2
Chute installation screw cover		2
Extension activator component(Optional)		1
Pan head wood screw M4x20(Optional)		1

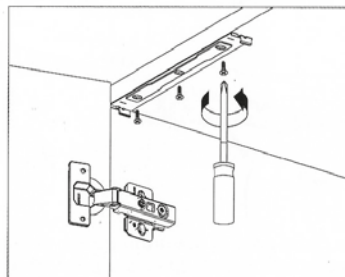
2 Take out the OT main part accessory, pull the crank to the rear and keep it in this direction, then remove the mounting bracket from the OT



3 Install the matched hinge, and adjust the door to open and close smoothly (the gap is required to be about 2mm)



4 Install the mounting bracket on the top plate of the cabinet with the arrow pointing outwards and fix it with three M4 countersunk head screws. Installation parameters are as follows (or punch holes according to the positioning paper)



Installation data as below:

Remark: T is the door panel thickness

Full Overlay Installation Data	Side panel →		Top panel
Half Overlay Installation Data	Side panel →		Top panel
Insert Installation Data	Side panel →		Top panel

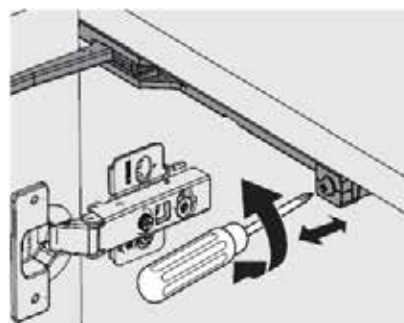
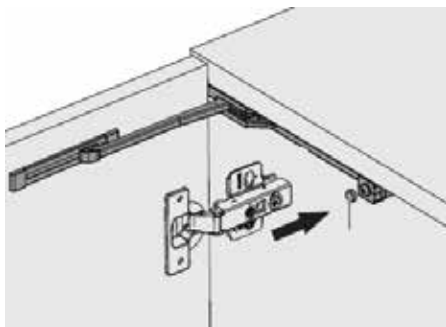
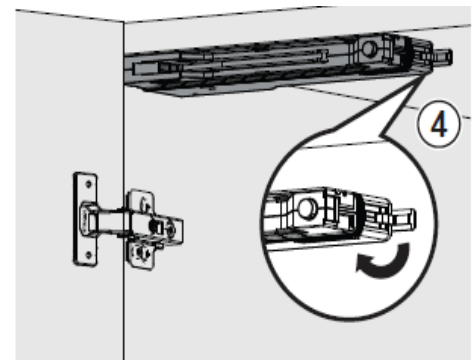
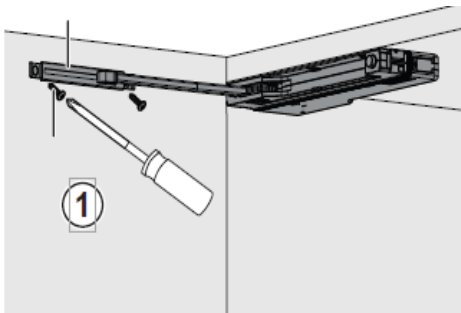
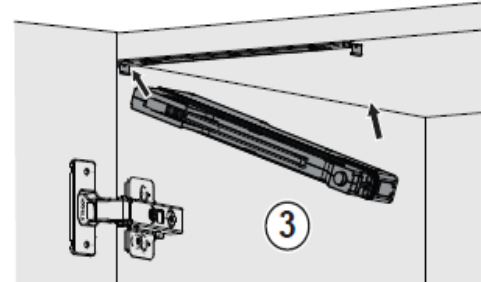
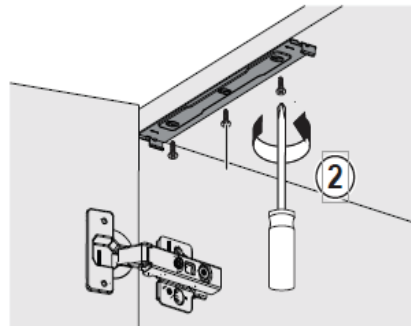
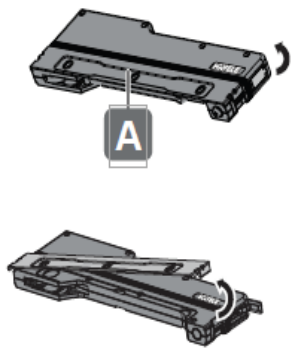
ONE TOUCH PUSH OPENING AND SOFT CLOSING DOOR SYSTEM



Installation Guide

Print at actual size

JKV15L /JKV15H



ONE TOUCH PUSH OPENING AND SOFT CLOSING DOOR SYSTEM



Installation Guide

Print at actual side

JKV15L /JKV15H

Open Installation
Align with the bottom of the top panel

9mm 112mm

Foldable along the dotted line

Chute screw hole positioning guide

1 place the positioning paper to the door panel along with the dotted line

2 Fold the positioning paper along with the dotted line. Mark down the screw positioning hole

3 Drill the screw hole

4 Assemble the chute accessories

For right door panel

112mm 9mm

Open Installation
Align with the bottom of the top panel

Chute screw hole positioning guide

1 place the positioning paper to the door panel along with the dotted line

2 Fold the positioning paper along with the dotted line. Mark down the screw positioning hole

3 Drill the screw hole

4 Assemble the chute accessories

Foldable along the dotted line

For left door panel

ONE TOUCH PUSH OPENING AND SOFT CLOSING DOOR SYSTEM

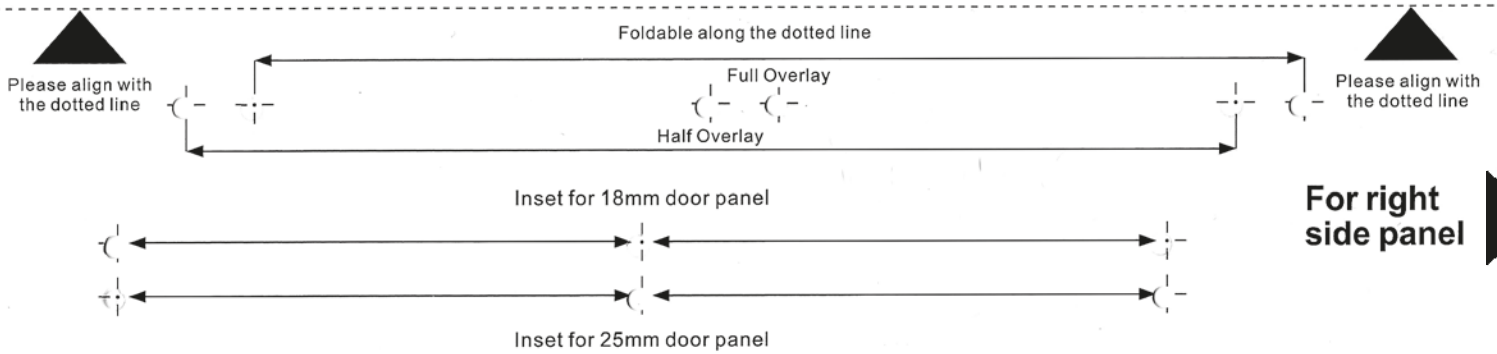


Installation Guide

Print at actual size

JKV15L /JKV15H

Screw hole positioning guide for mounting bracket



Screw hole positioning guide for mounting bracket

