

GOLA PROFILES

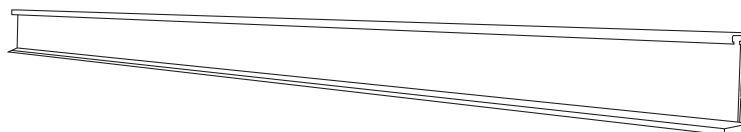


INSTALLATION GUIDE

LAGO2702E / LAGO2703E

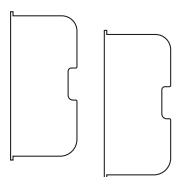
Unscaled format

CONTENT:



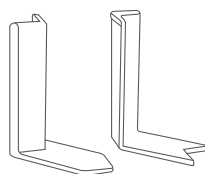
1x
Profile
LAGO2702 "C" / LAGO2703 "L"

SOLD SEPARATELY



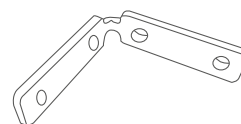
Gola Right-Left closed
end caps profile

AB2702 "C" /
AB2703 "L"



Gola int-ext 90o

Ext / Int 90°
E2702-03



Gola assembly brackets
for "C" and "L" profiles

E2703-02

** Approximate measurements and expressed in millimeters

GOLA PROFILES

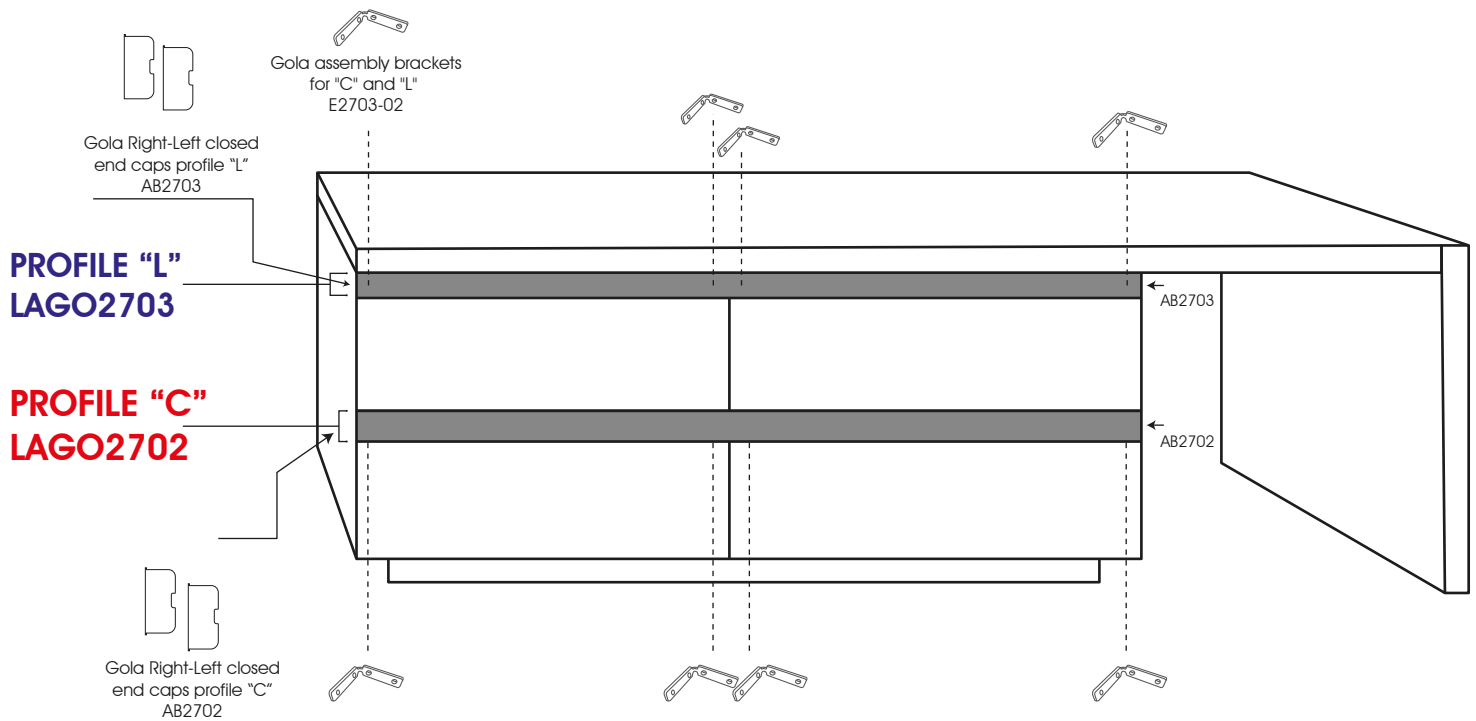


INSTALLATION GUIDE

LAGO2702E / LAGO2703E

Unscaled format

OPTION A:



** Approximate measurements and expressed in millimeters

GOLA PROFILES

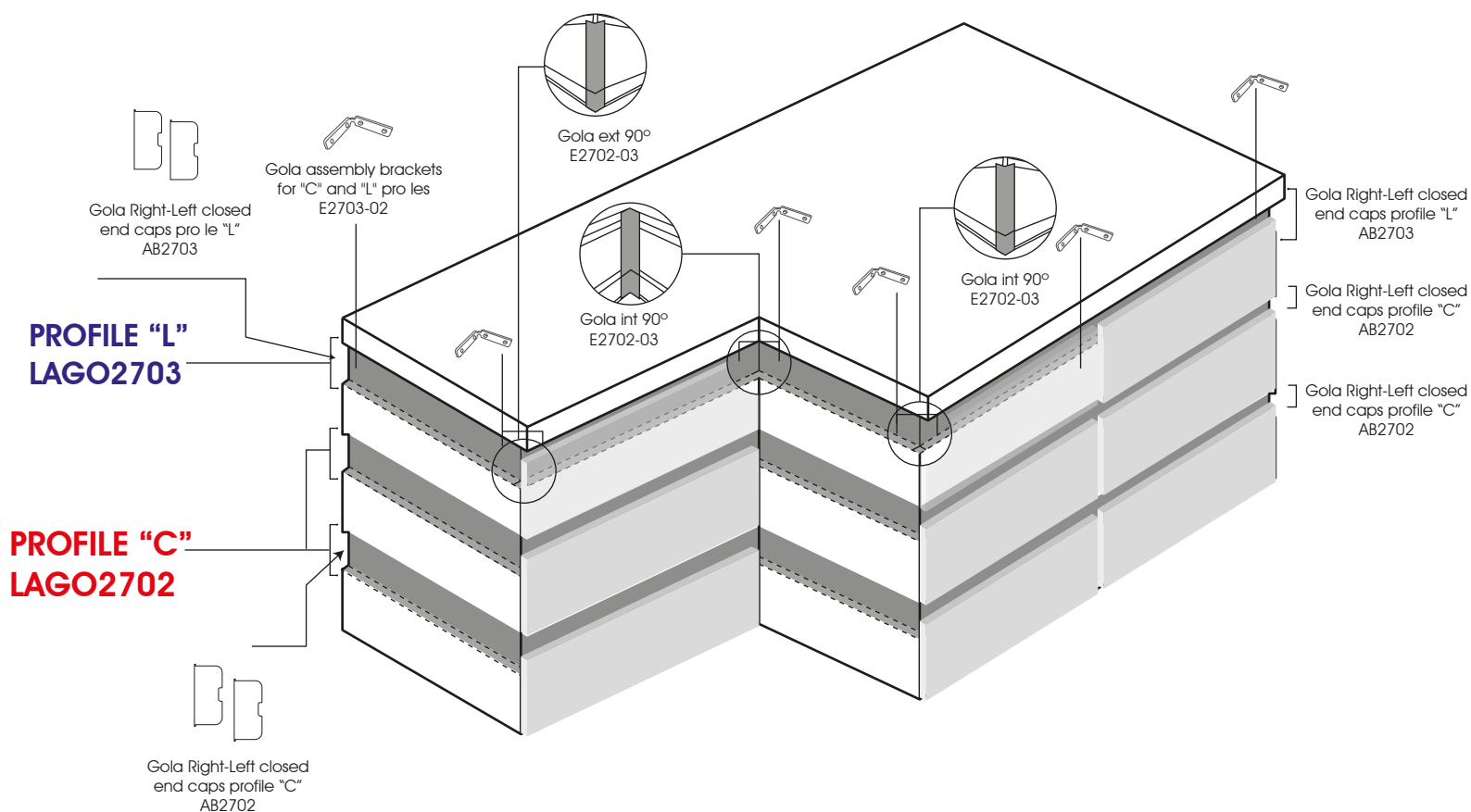


INSTALLATION GUIDE

LAGO2702E / LAGO2703E

Unscaled format

OPTION B:



** Approximate measurements and expressed in millimeters

GOLA PROFILES



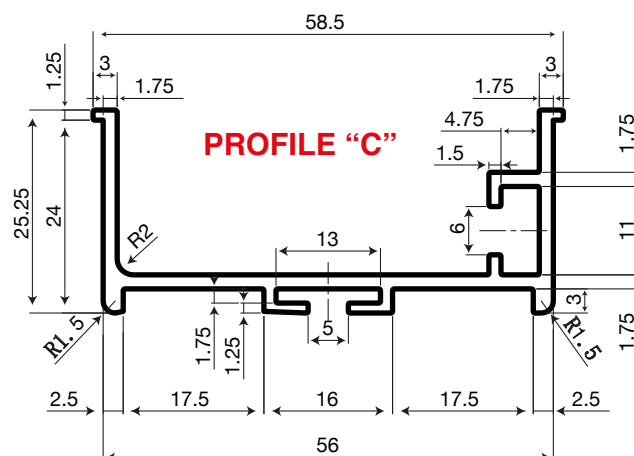
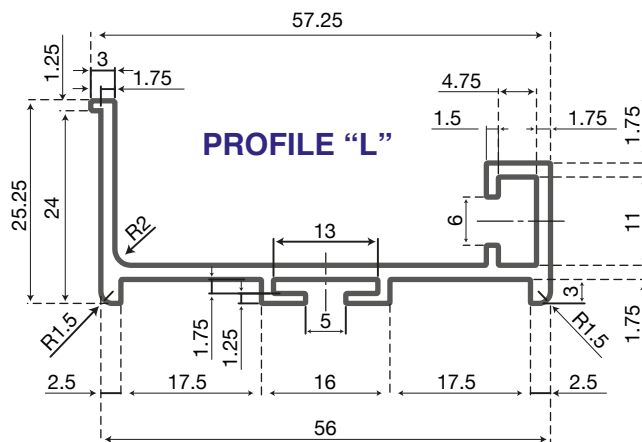
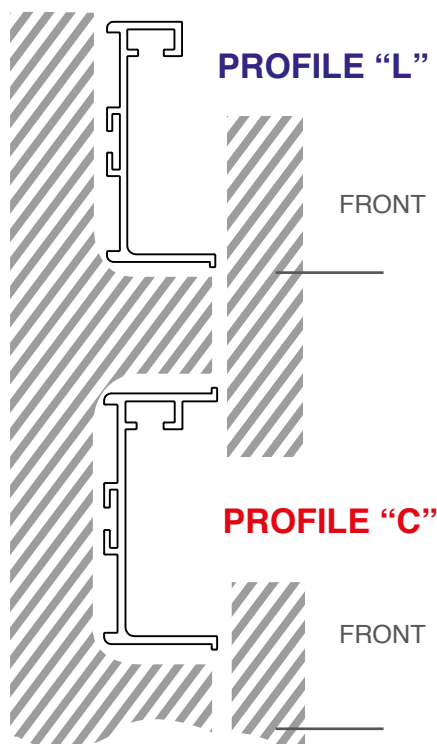
INSTALLATION GUIDE

LAGO2702E / LAGO2703E

Unscaled format

1.-Requires cutting in the cabinet

The panels must be perforated following the shape of the gola profile



** Approximate measurements and expressed in millimeters

GOLA PROFILES



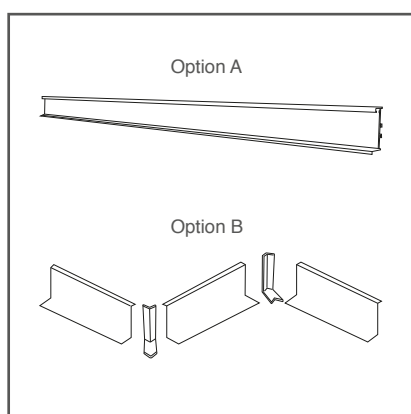
INSTALLATION GUIDE

LAGO2702E / LAGO2703E

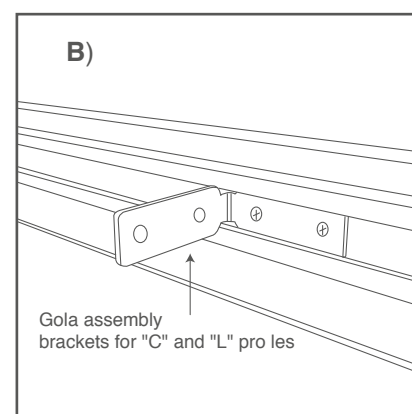
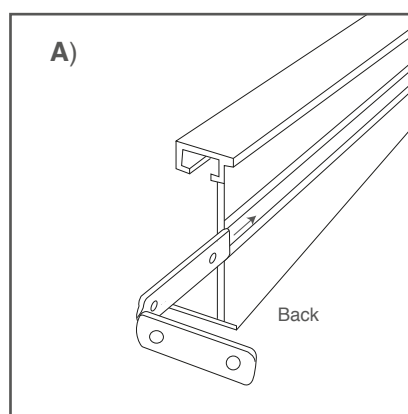
Unscaled format

2.-Select the type of furniture

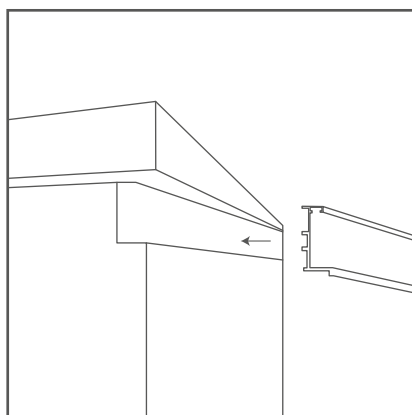
- Option A
- Option B (requires cutting at 45° on the profile)



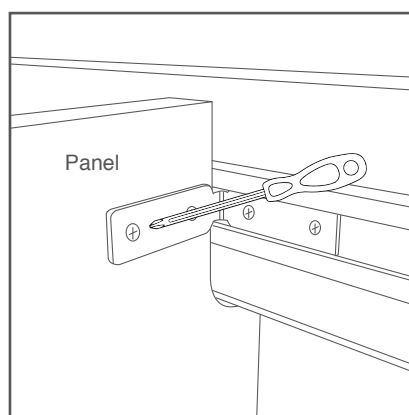
3.- Before placing the Profile on the furniture, insert the fixin brackets into the Rail, depending on the number of panels



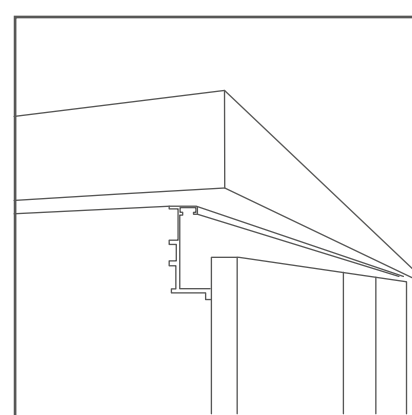
4.- Place the Profile on the furniture



5.- Fix the profile to the furniture with the supports on each of the panels, previously drilled



Profile view already placed on the furniture



** Approximate measurements and expressed in millimeters

GOLA PROFILES

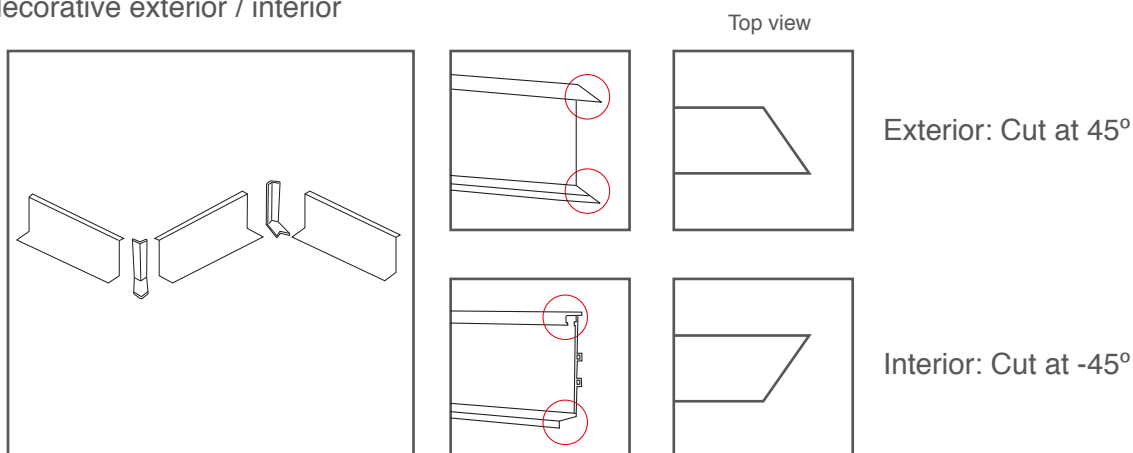


INSTALLATION GUIDE

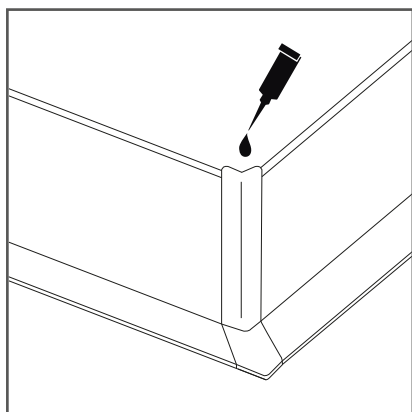
LAGO2702E / LAGO2703E

Unscaled format

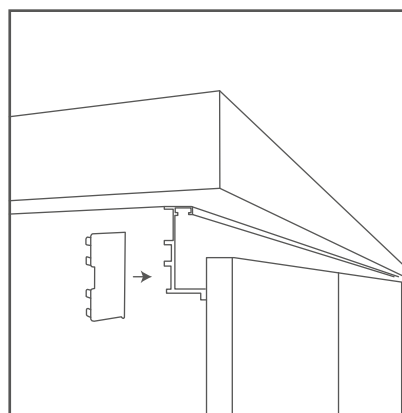
6. Option B, it is necessary to make a 45° cut in each corner and then place the connectors decorative exterior / interior



7.- Fix the connectors with silicone base glue



8.- Finally, place each of the left and right caps snap on



** Approximate measurements and expressed in millimeters