

HINGES AND PIVOT

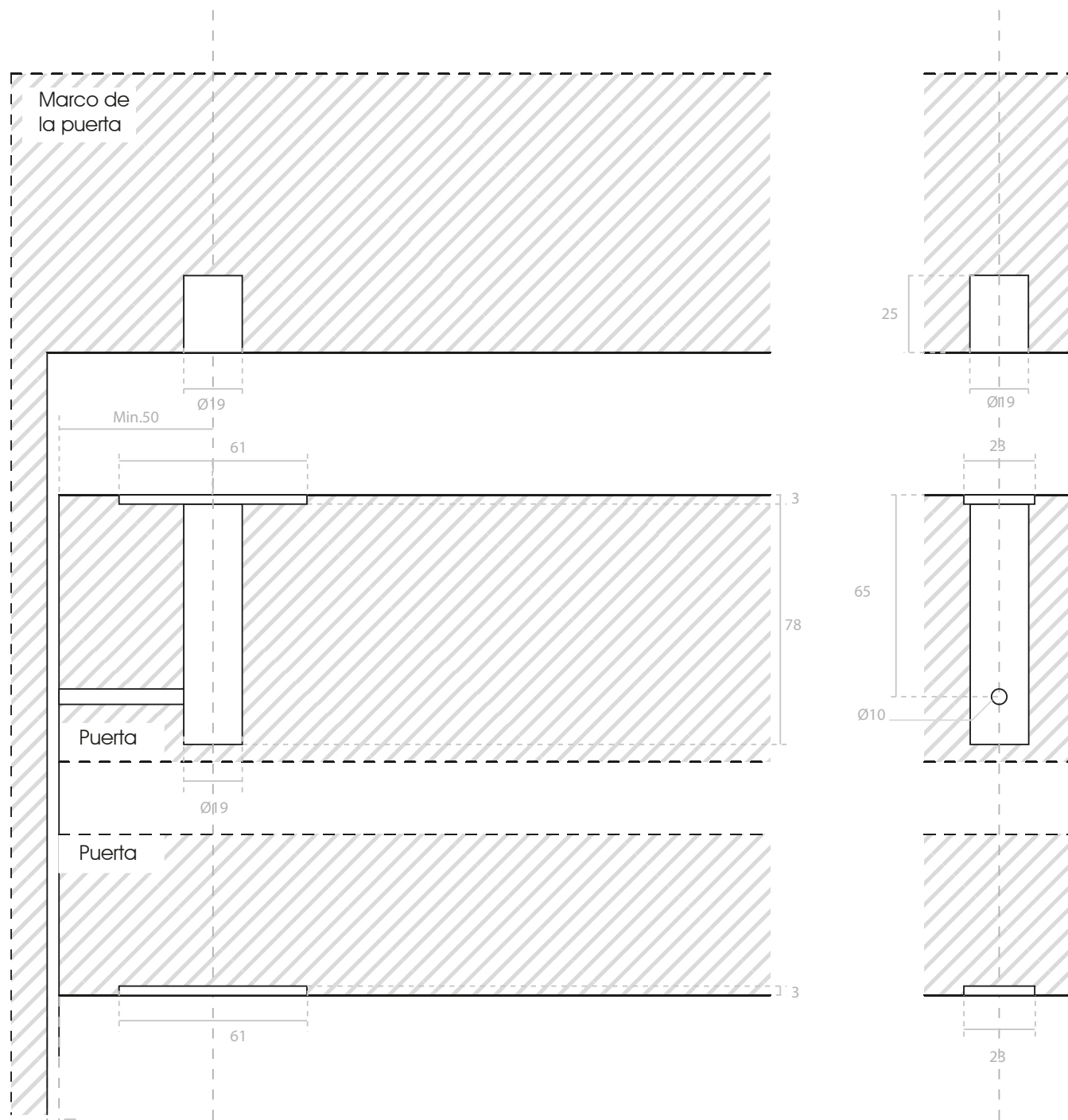
FLUSH PIVOT STAINLESS STEEL MAX. 143 LB

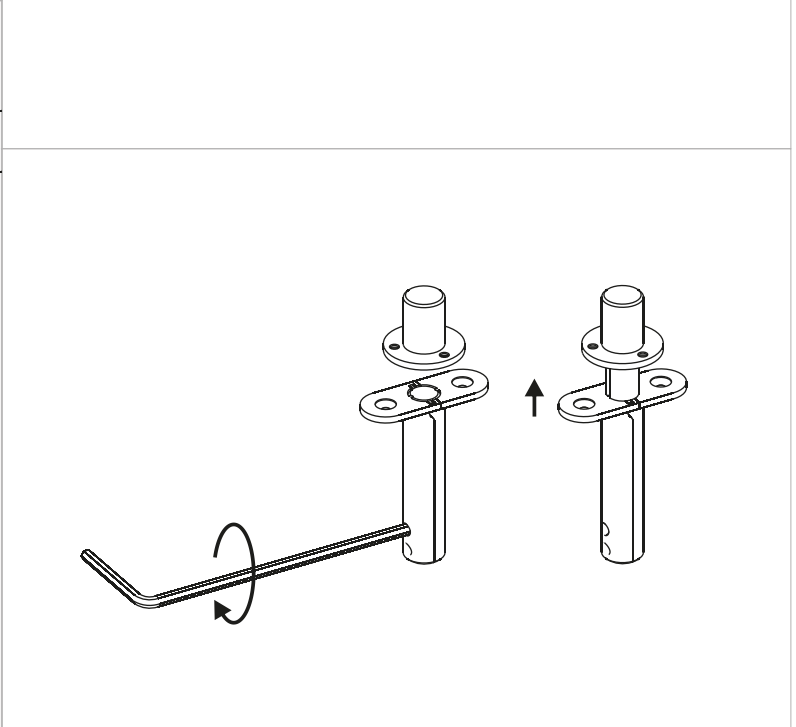
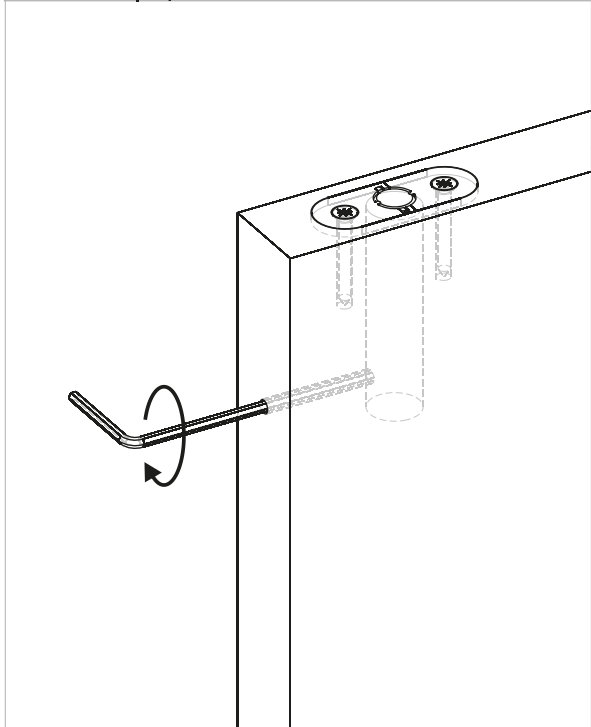
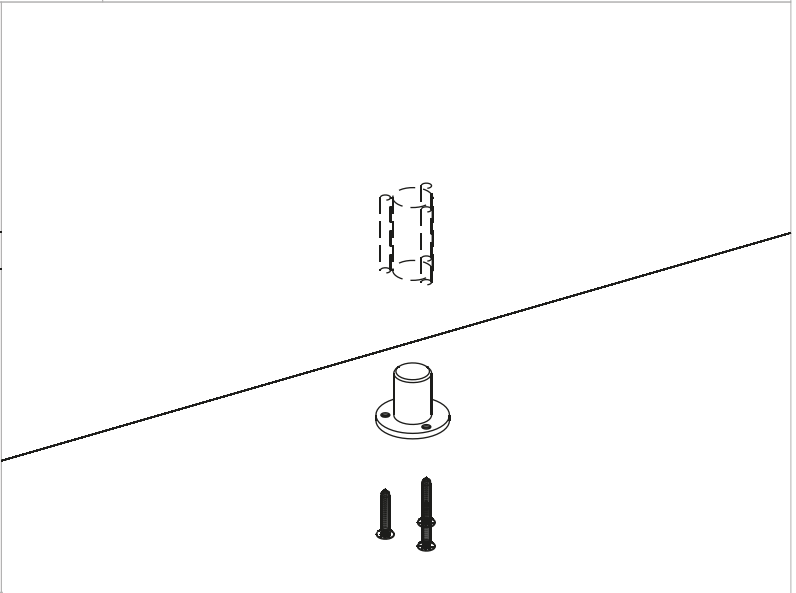
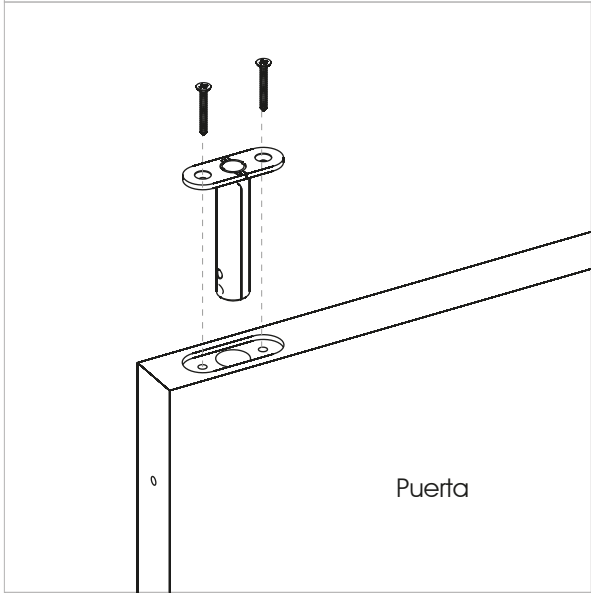
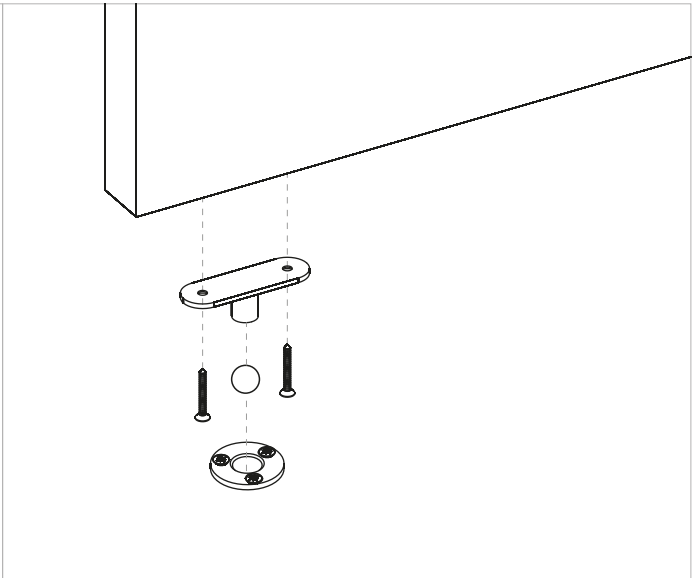
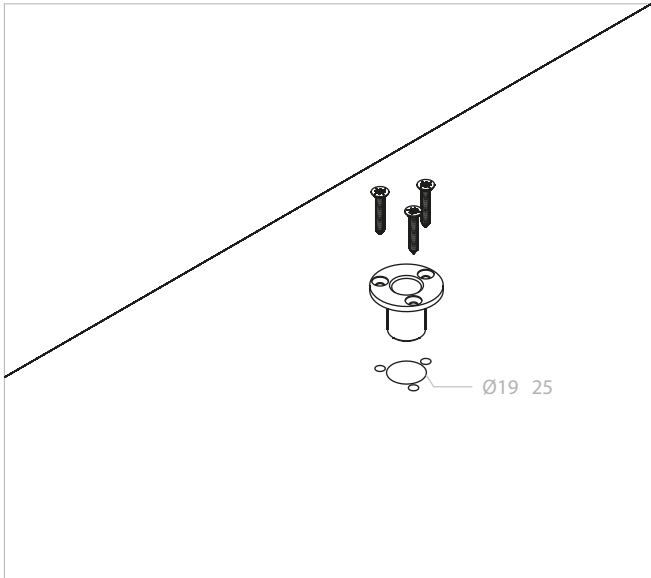


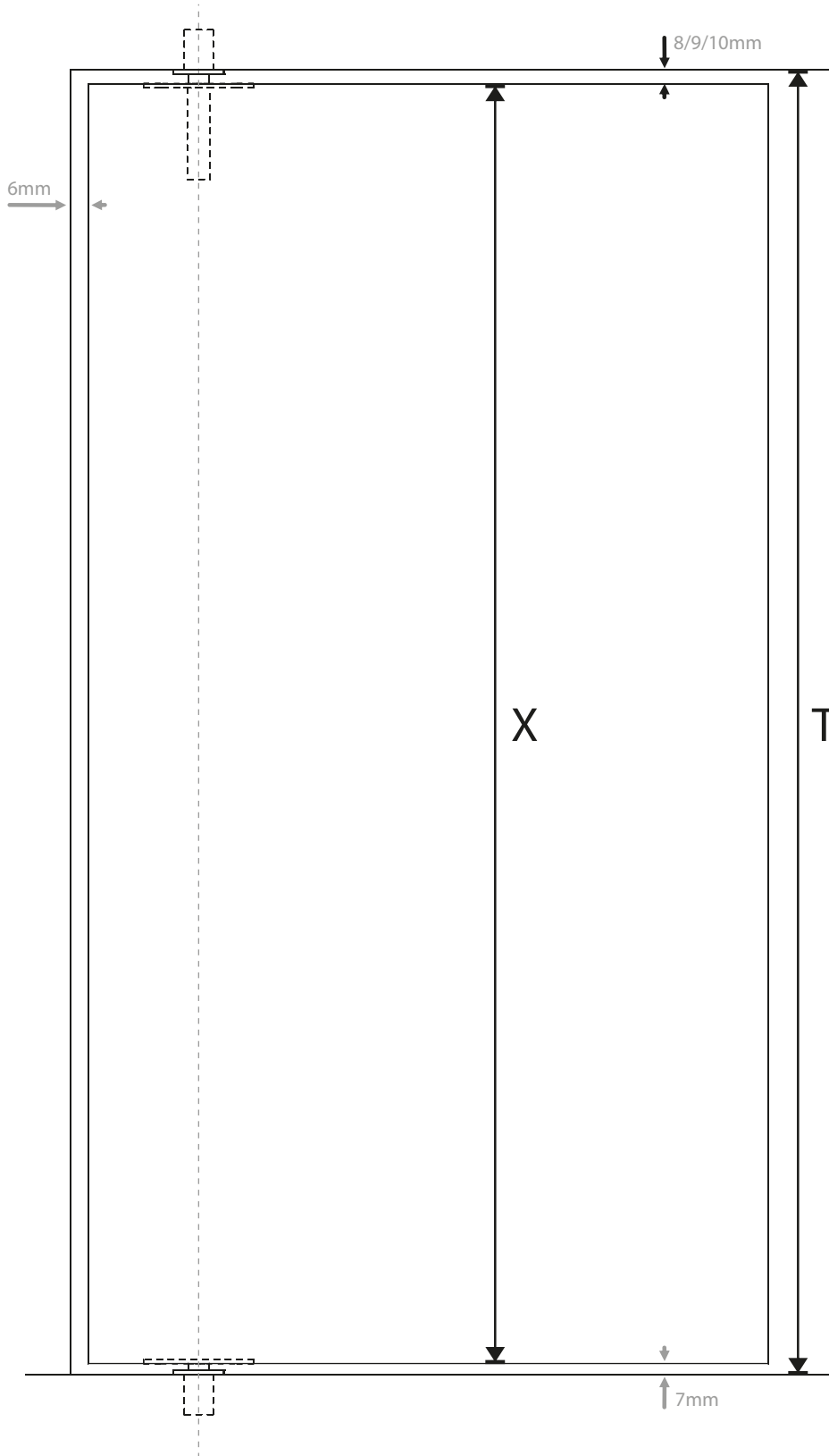
COD. JK05208




Installation guide

DOOR CUT:







- | | |
|---|-----------------|
|  | X=T-15mm |
|  | X=T-16mm |
|  | X=T-17mm |