

# DEADBOLTS

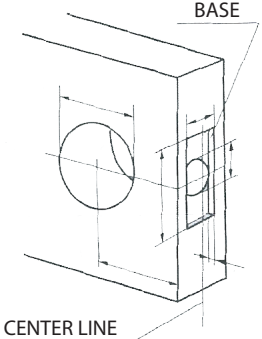
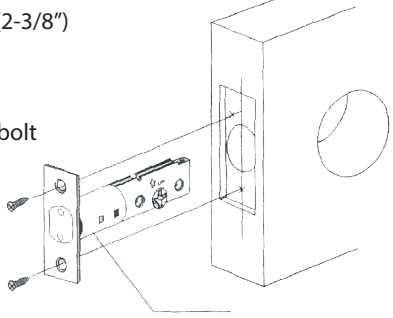
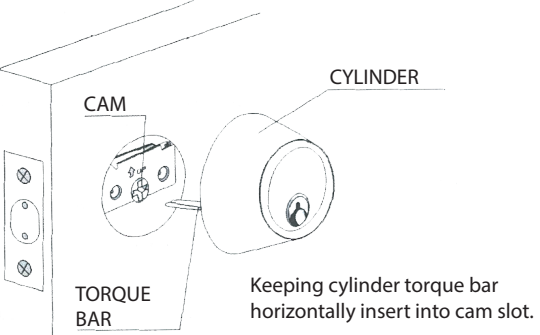
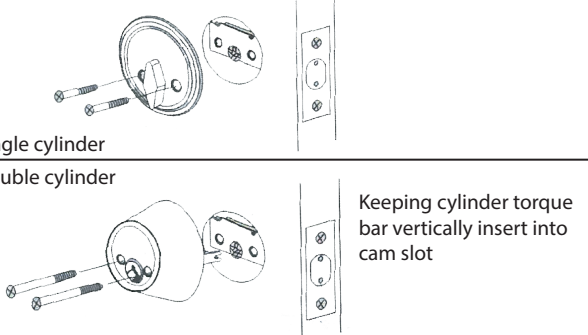
## DEADBOLT KEY - KEY



Cod. RD02SN / CJ02SS-AS  
Installation guide

Unscaled format

### HOW TO INSTALL THIS DEADBOLT LOCK

1. MARK DOOR & BORE HOLES	2. INSTALL LATCH
<p>Fold template over edge of door. Mark site 60mm (2-3/8") or 70mm (2-3/4") of holes.</p> <p>Bore Ø 54mm (2-1/8") and Ø23mm (2-9/32") holes through door.</p> <p>Cut out a 58 x 26 x 3 mm (2-9/32" x 1" x 1/8") base.</p> 	<p>Adjustable latch for 60mm (2-3/8") or 70mm (2-3/4") backset.</p> <p>Push the deadbolt inward.</p> <p>Keep the arrow of the deadbolt always pointing upwards.</p> 
3. INSTALL THE OUTSIDE CYLINDER	4. INSTALL INSIDE TRIM (CYLINDER)
	
5. INSTALL STRIKE	INSTRUCTION FOR AD JUSTABLE LATCH
