

LADDER PULL HANDLES

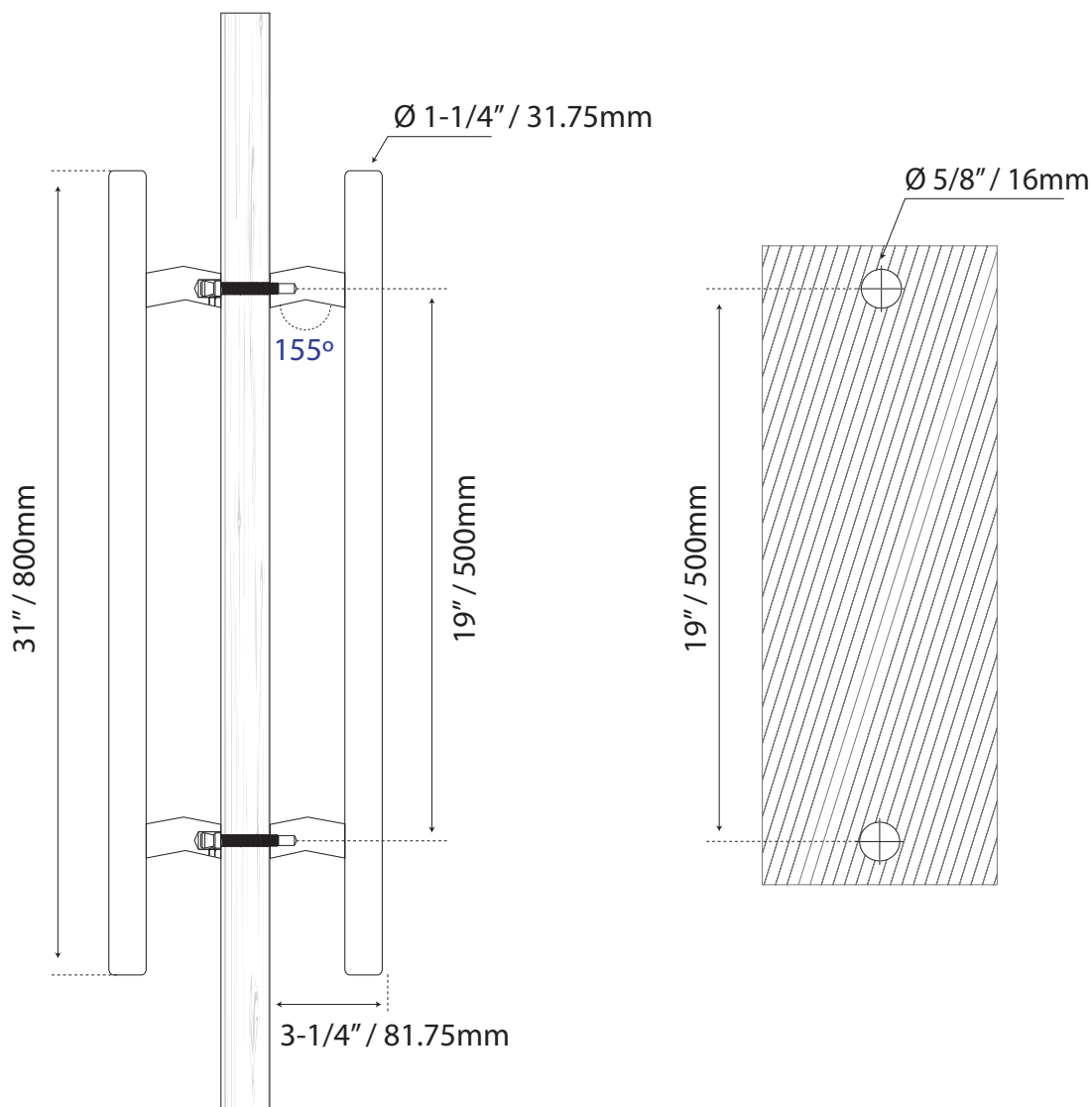
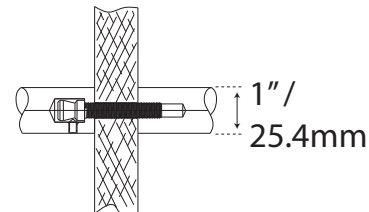
OFFSET LADDER PULL HANDLE BACK-TO-BACK



Cod.CHCP042-500SSS

Cutting guide

SOLID



Unscaled format