

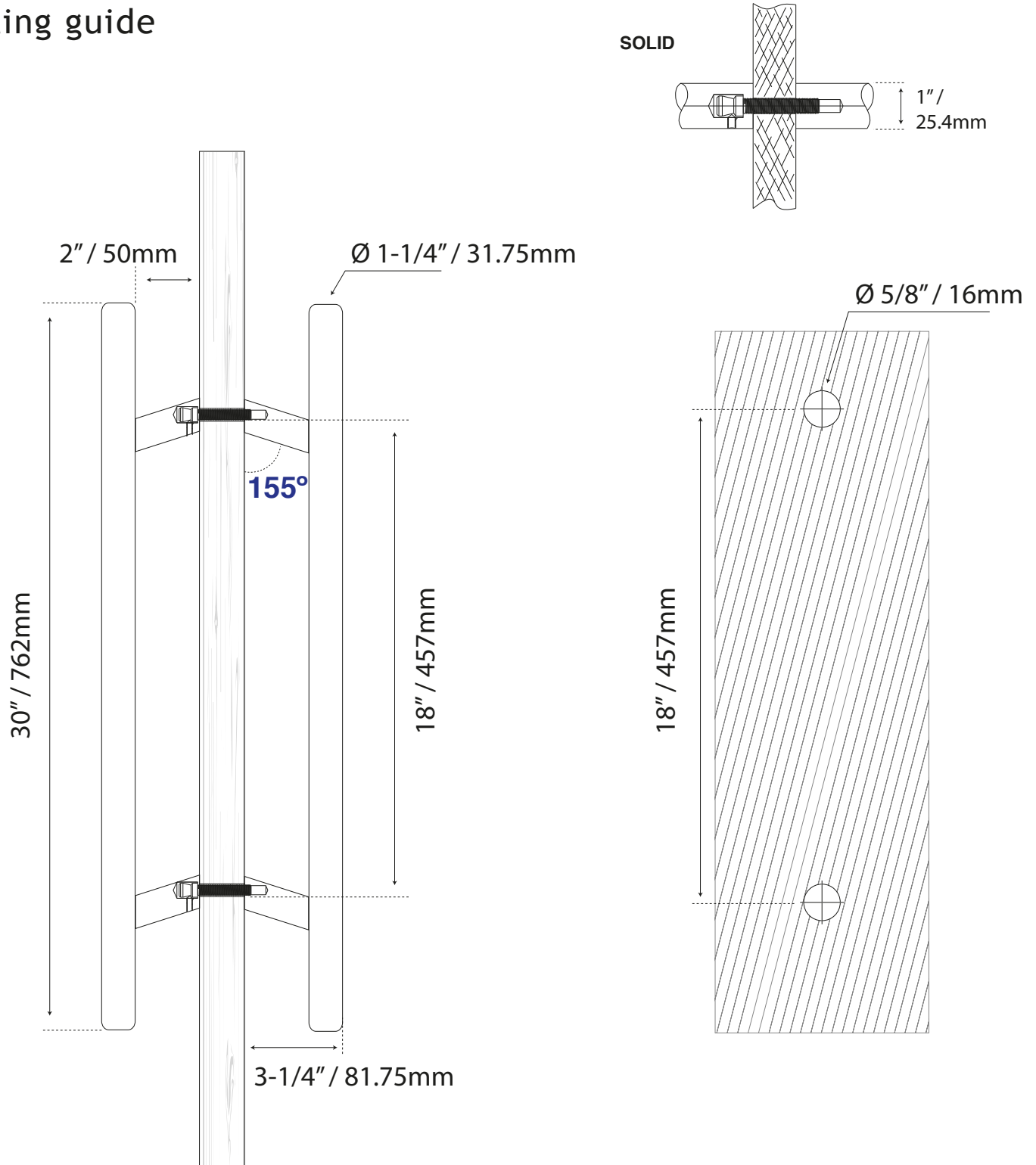
LADDER PULL HANDLES

OFFSET LADDER PULL HANDLE BACK-TO-BACK
SATIN STAINLESS STEEL L27



COD. L2718X30

Cutting guide



unscaled format