

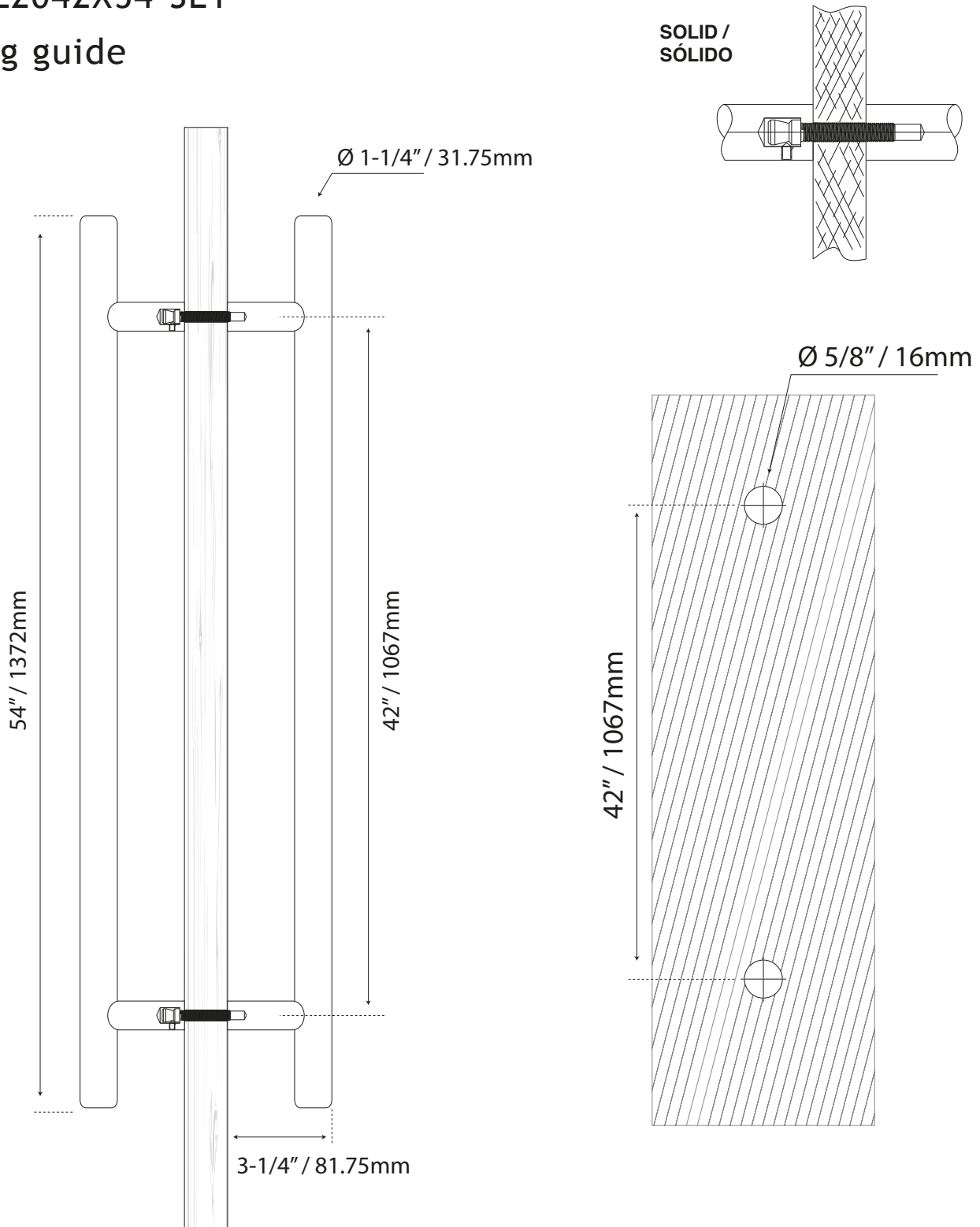
LADDER PULL HANDLES

LADDER PULL HANDLE BACK-TO-BACK - SATIN STAINLESS STEEL



COD. L2042X54-SET

Cutting guide



unscaled format