

CONCEALED HINGE

INSTALLATION IN 30°



Cod. C98F6A6 / C98N616 / C98W616

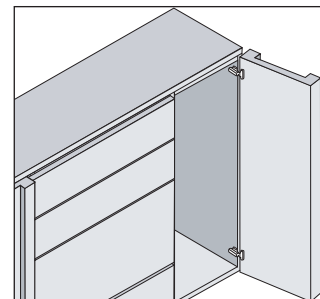
Installation guide

Product



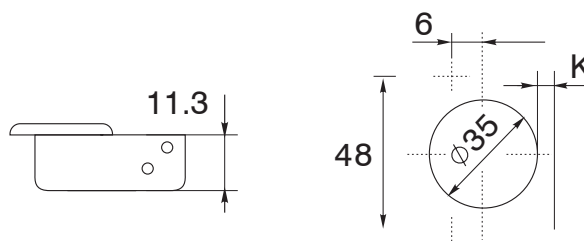
Description

- Opening angle: 95°
- Bore depth: 1/2"
- Cup diameter: 1-3/8"
- Door thickness: 9/16" - 1"
- Possible drilling distances on the door (K) : 1/8" - 1/4"
- For use on cabinet / closet doors



Ø35mm Hinge cup types

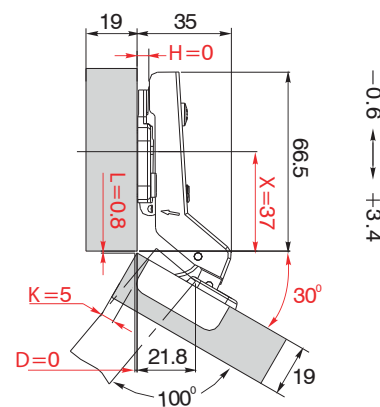
Use these formulas to determine the type of hinge arm, the drilling distance "K" and the height of the mounting plate "H" which is necessary to solve each application problem.



Concealed hinge 95°

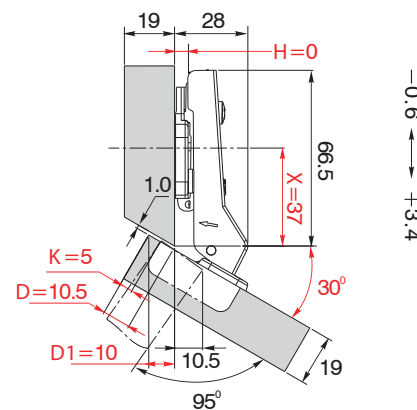
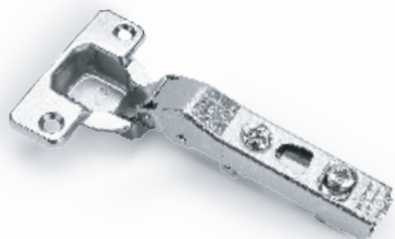
Angled full overlay

Cod. C98N616



Angled overlay

Cod. C98W616



Angled half overlay

Cod. C98F6A6

