

# CONCEALED HINGE

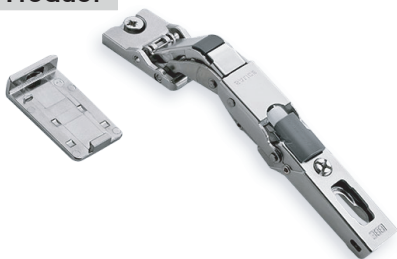
## FOR GLASS HINGE



### Cod.CBG2A99

### Installation guide

#### Product

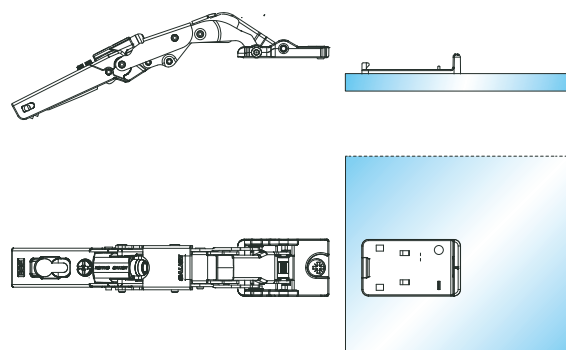


#### Description

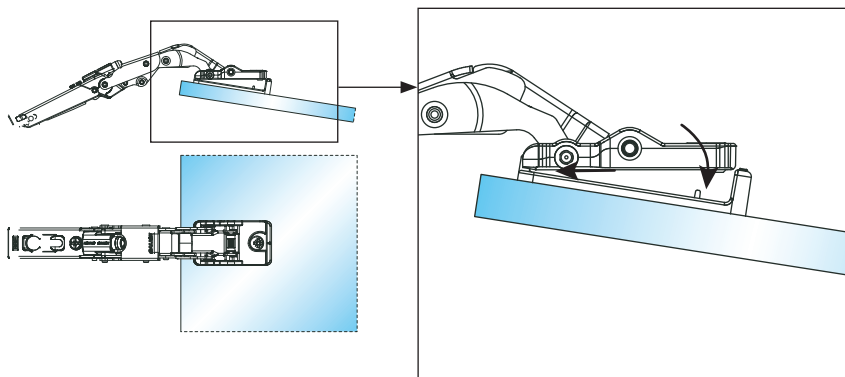
- Opening angle: 110°
- Drilling distance: 0" - 7/8"
- Capacity: 8Lbs
- For use on cabinet / closet doors wood or aluminum

#### Installation hinge

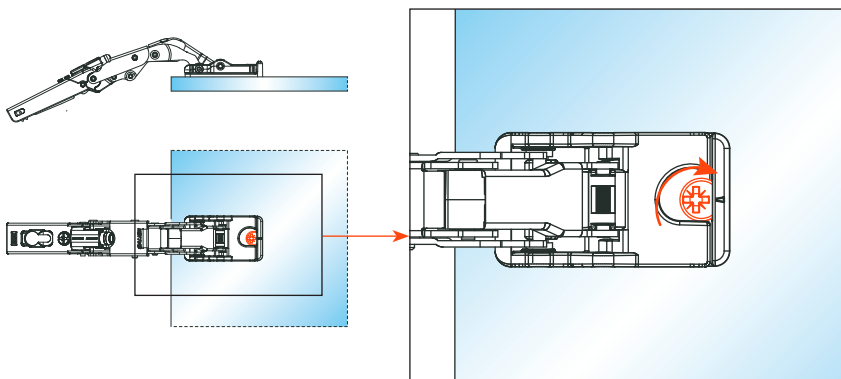
- 1) The hinge plate must be attached to the glass door with a specific adhesive using the correct procedure.



- 2) Locate the hinge onto the plate when it is bonded to the door.



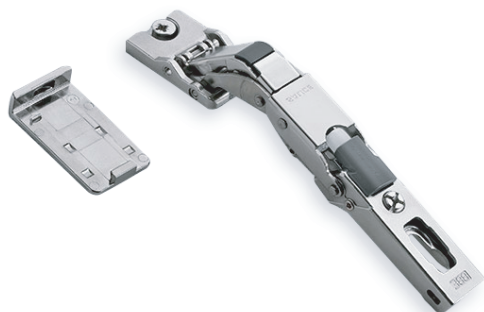
3) Rotate the fixing cam.



For glass hinge 110°

Full overlay C=0

Cod. CBG2A99



$$H = -1 + K - (D)$$

