

# SLIDING DOOR SYSTEM

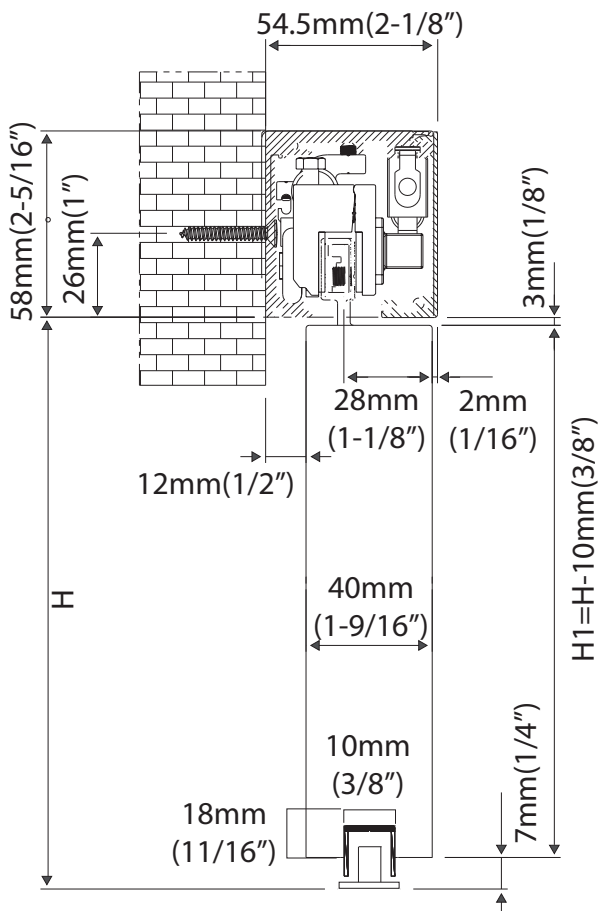
## “CY-C01” SERIES



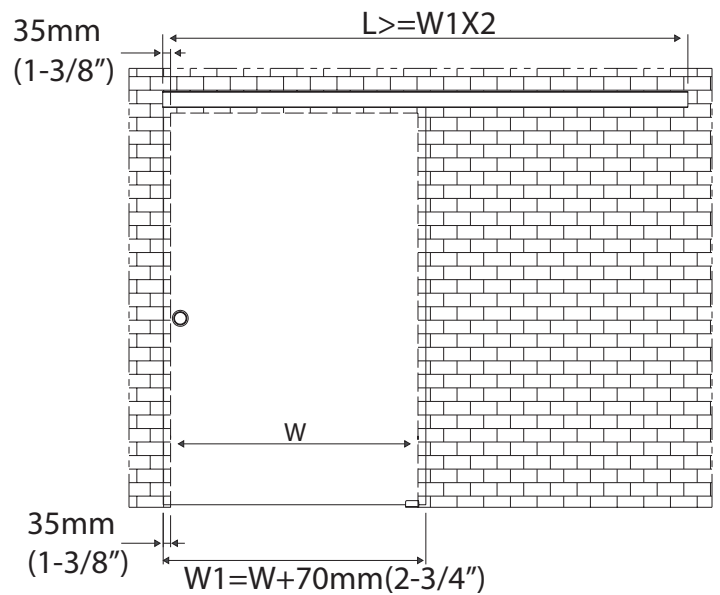
### Installation Guide

### CY-C01

Unscaled format



### SURFACE-MOUNTED



#### Calculate Door Dimensions:

Height(H1) =  $H - 3/8"$

Width(W1) =  $W + 2-3/4"$

# SLIDING DOOR SYSTEM

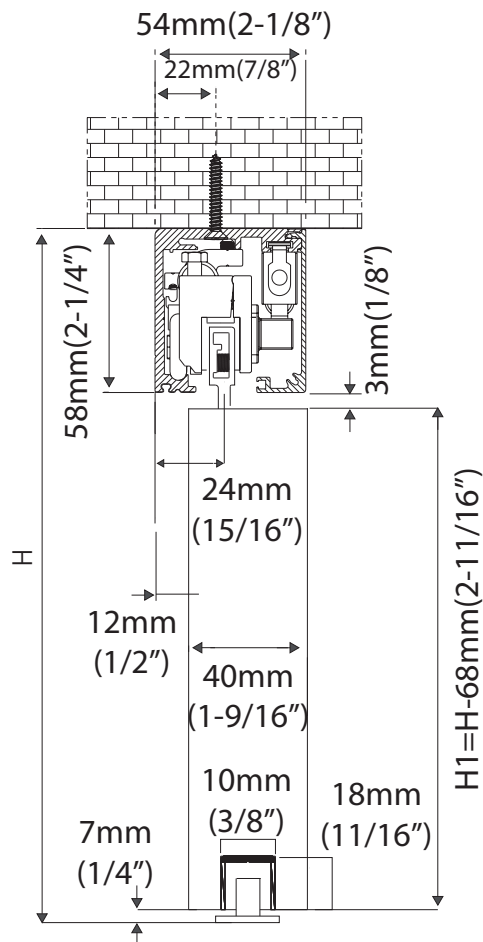
## “CY-C01” SERIES



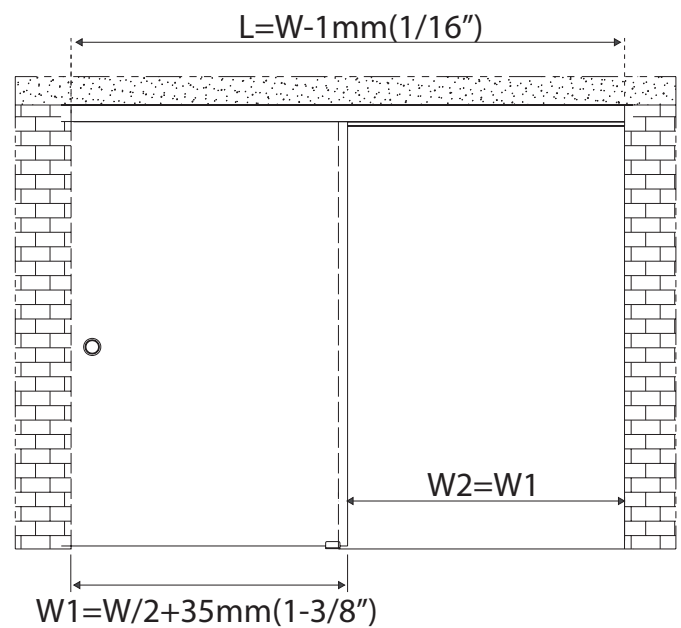
### Installation Guide

### CY-C01

Unscaled format



### POCKET DOOR



#### Calculate Door Dimensions:

Height(H1) =  $H - 2 - 11/16"$

Width(W1) =  $W/2 + 1-3/8"$

Width(W2) = W1

# SLIDING DOOR SYSTEM

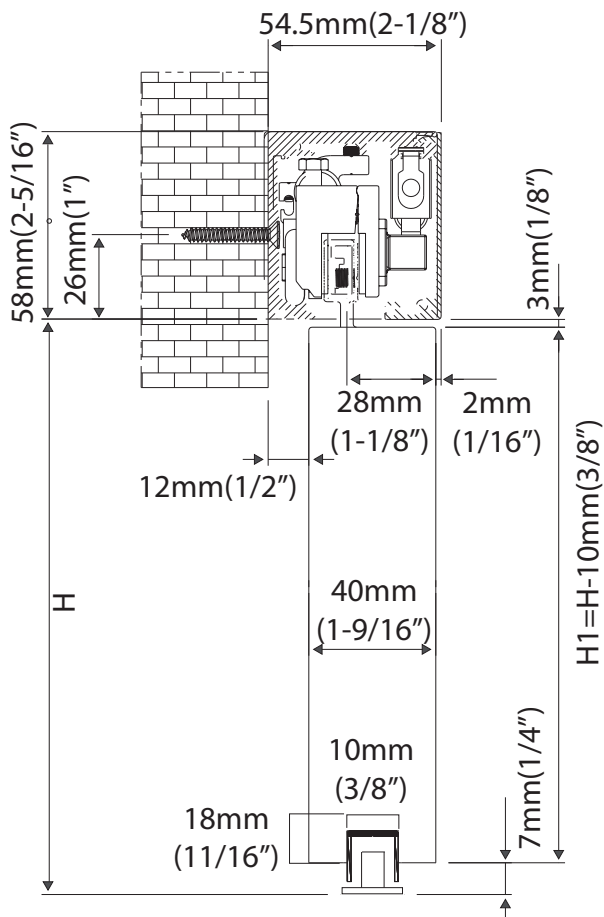
## “CY-C01” SERIES



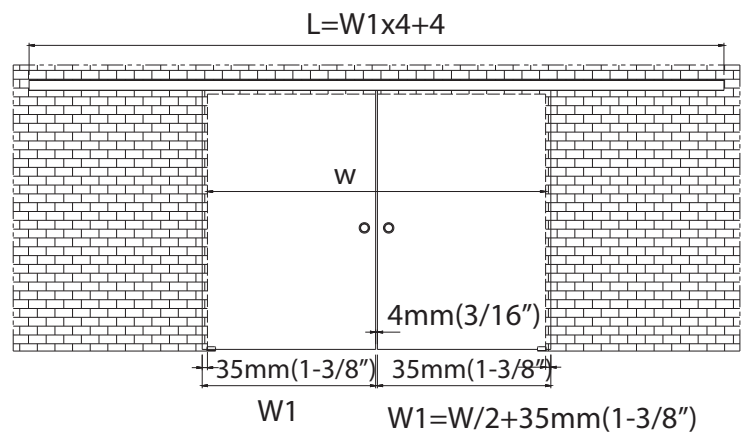
### Installation Guide

### CY-C01

Unscaled format



### ASYMMETRICAL



#### Calculate Door Dimensions:

Height(H1) =  $H - 3/8"$

Width(W1) =  $W/2 + 1-3/8"$