

# SLIDING DOOR SYSTEM

## SOFT-CLOSE PISTONS



### Installation Guide

### JM960A

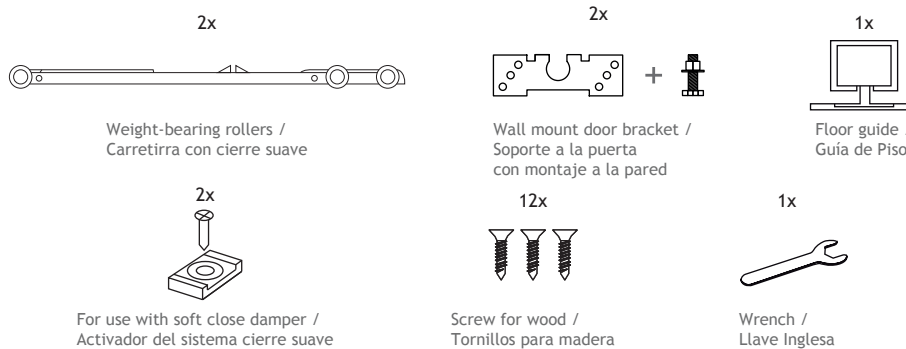
Unscaled format

## SLIDING DOOR HARDWARE / SISTEMA DESLIZABLE

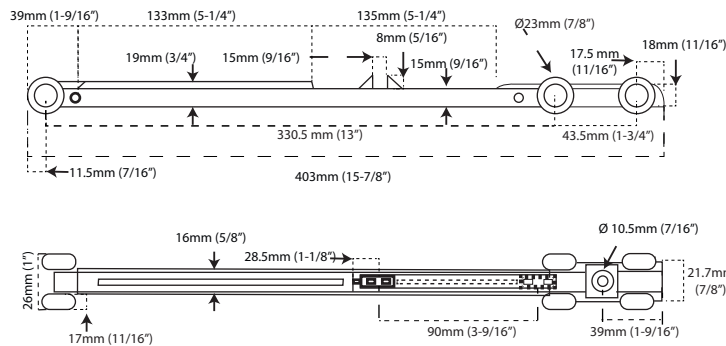
TECHNICAL DATASHEET / FICHA TÉCNICA

JM960AX2

### SUPPLIED WITH / CONTENIDO:

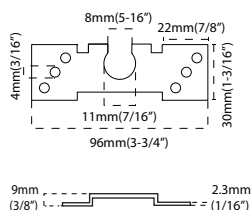


### WEIGHT-BEARING ROLLERS / CARRETILLA CON CIERRE SUAVE

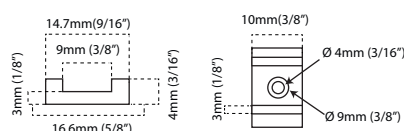


**Soft Stop System III**

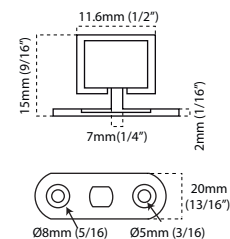
### WALL MOUNT DOOR BRACKET / SOPORTE A LA PUERTA CON MONTAJE A LA PARED



### FOR USE WITH SOFT CLOSE DAMPER / ACTIVADOR DEL SISTEMA CIERRE SUAVE



### FLOOR GUIDE / GUÍA DE PISO



# SLIDING DOOR SYSTEM

## SOFT-CLOSE PISTONS



### Installation Guide

### JM960A

Unscaled format

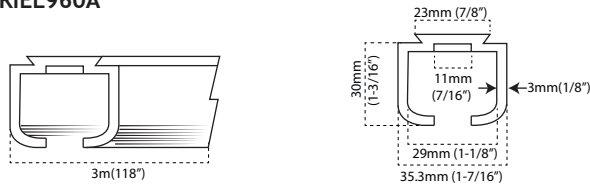
## SLIDING DOOR HARDWARE / SISTEMA DESLIZABLE

TECHNICAL DATASHEET / FICHA TÉCNICA

JM960AX2

**SOLD SEPARATELY / SE VENDE POR SEPARADO**

FOR USE WITH TRACK / USAR CON RIEL  
MOD. RIEL960A



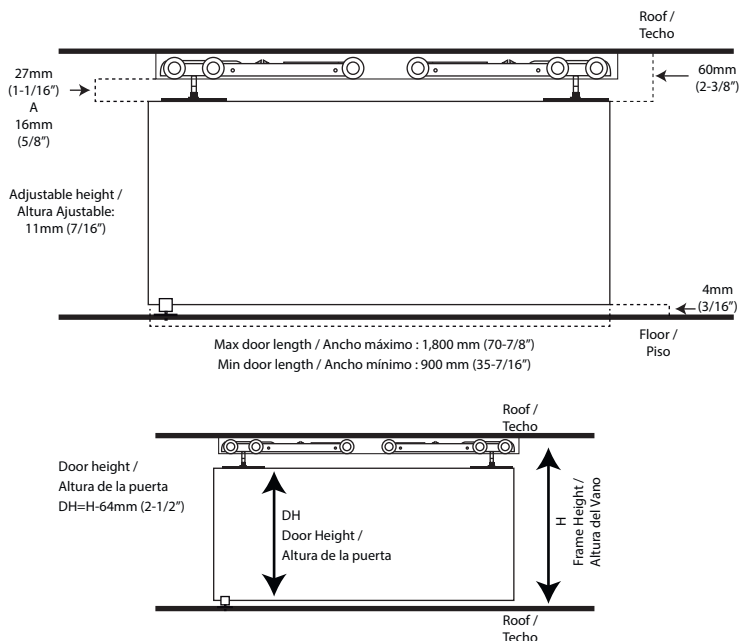
ALUMINUM / ALUMINIO

#### DOOR INFORMATION

- Concealed top-loading system
- Provides soft-closing function
- Max door weight: 60 Kg (132 lbs)
- Max door length: 1,800 mm (70-7/8")
- Min door length: 900 mm (35-7/16")
- Min door thickness: 35 mm (1-3/8")
- Adjustable height: 11 mm (7/16")
- Door height:  $DH=H-64$  mm (2-1/2")

#### INFORMACIÓN PARA LA PUERTA

- Instalación dentro del Vano
- Sistema Cierre Suave integrado
- Peso máximo: 60 Kg (132 lbs)
- Ancho máximo: 1,800 mm (70-7/8")
- Ancho mínimo: 900 mm (35-7/16")
- Espesor mínimo: 35 mm (1-3/8")
- Altura ajustable: 11 mm (7/16")
- Altura de la Puerta:  $DH=H-64$  mm (2-1/2")



#### DOOR CUT / CORTE EN LA PUERTA

