

Standard Duty Shower Hinges - SOLID BRASS

Cutting guide

unscaled format

VTR-120 SERIES

SPECIFICATIONS

Glass Thickness: 5/16" - 1/2" (8-12mm) Tempered Safety Glass

Material: Solid Brass

Finishes: CP, BN, BR, ORB

Special Features: <15° With Automatic Closing; 0° And 5° Pre-set Closing Position

| Max Door Capacities | Max. Weight | Max. Width |
|---------------------|----------------|---------------|
| Using 2 Hinges | 90 lbs (42kg) | - 28" (711mm) |
| Using 3 Hinges | 120 lbs (54kg) | - 32" (813mm) |

***NOTE:** Choose proper quantity of hinges; Do not exceed max. Door weight or width

Quality Vetroglass



- Walls and base
made of solid
brass!!!
Thickness: 4.5mm

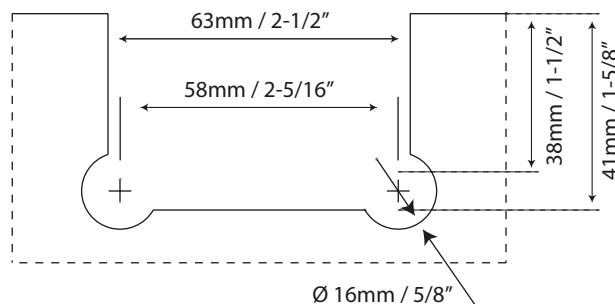
Others



- Walls and base
made of
hollow brass
Thickness: 2.5mm

Mouse ear Cut-out

For: 90° wall mount, 135° glass to glass



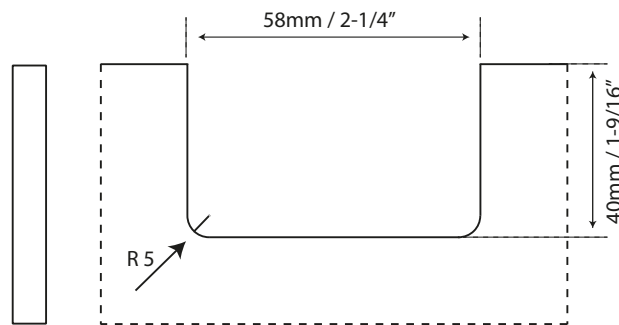
Standard Duty Shower Hinges - SOLID BRASS

Cutting guide VTR-120 SERIES

unscaled format

VTR-120 series template

Rectangular Cut
(Removable pin)
For: Pivot hinge



For: 90° and 180° glass to glass

