

# LIFTS SYSTEM

## STAY - LIFTS SYTEM



Unscaled format

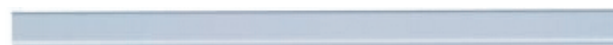
### Installation guide

### FS22

#### 1. Packages includes



2x Right side - Left side



1x Synchronous bar



2x Cover



2x Connectors



2x Hinge



8x (3.5x14)



8x (4x35)



12x (5x17)

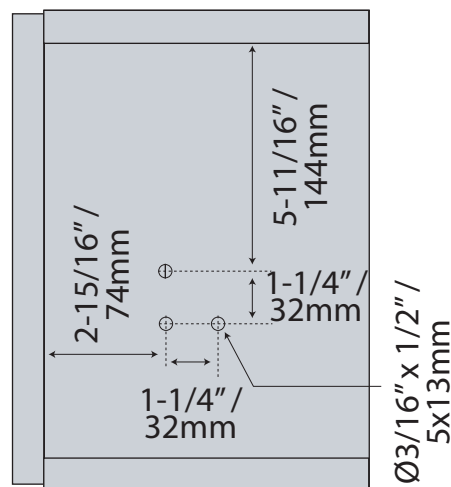
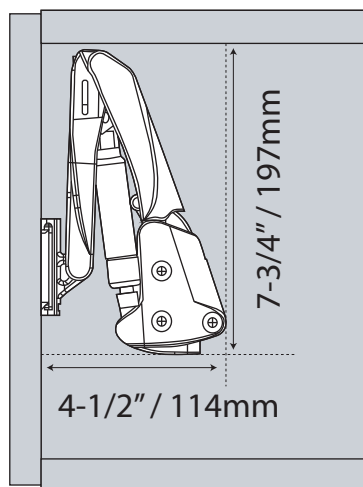
#### 2. Range of application

Door weight: 9.9 - 13.2Lbs (4.5 -6Kgs)

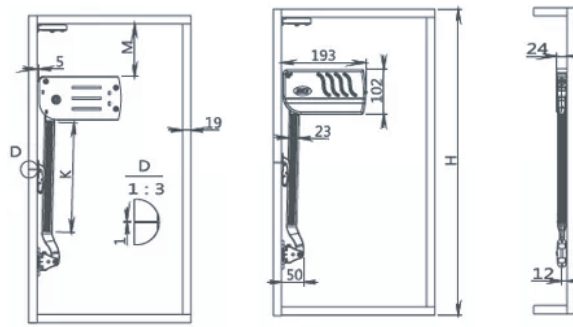
Cabinet height: 23-5/8" (600mm)

Cabinet width: 27-9/16" (700mm)

#### 3. Installation dimensions

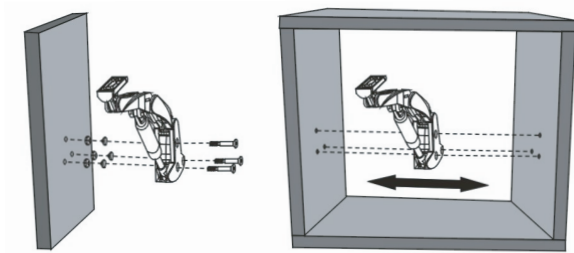


## 4. Panel thickness

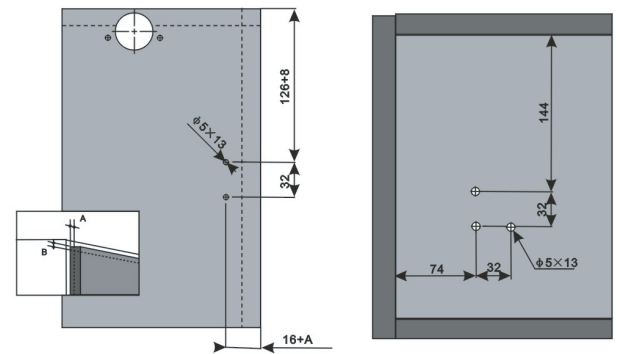


Height: H	600	650	700	750	800	850	900	950	1000
Installation measure: M	100	150	100	120	200	250	200	250	250
Installation measure: B	163	188	213	208	263	288	263	288	313
Length: K	200	200	300	300	300	300	350	350	400

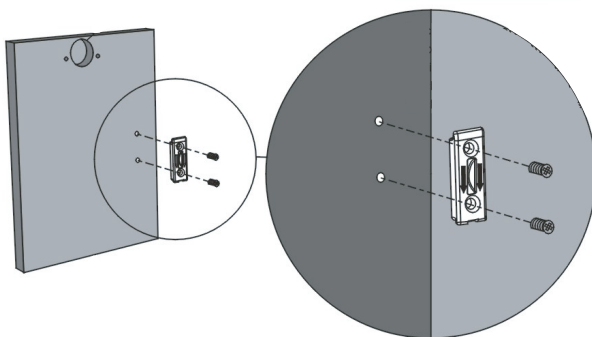
## 5. Installation



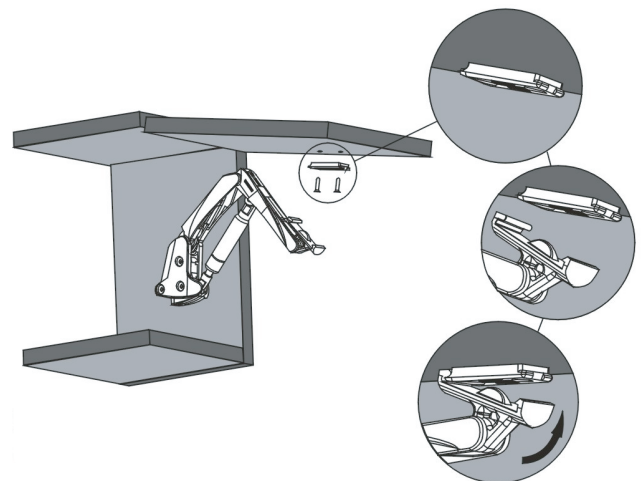
1) Mechanism and door fixing  
(Applies to both sides).



2) Perforation in door and furniture

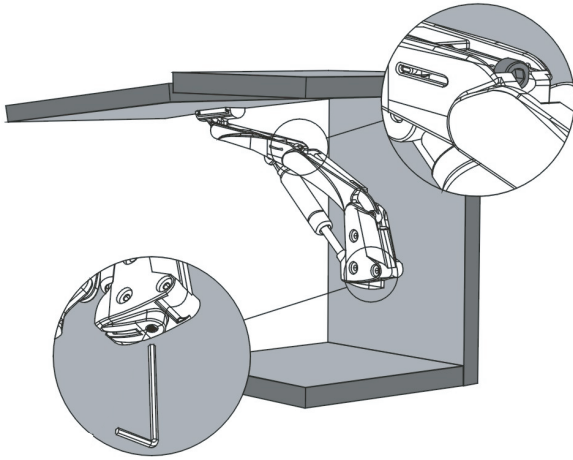


3) Placement of screws in furniture



4) Adjustment

5) Opening force regulation



6) Adjustment of the intervention angle of the mechanism

6. Disassembly

