

# GOLA LED PROFILES

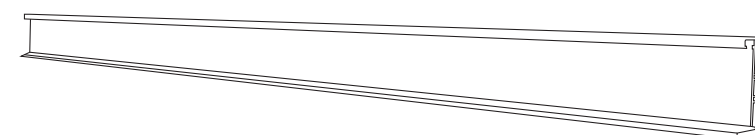


## INSTALLATION GUIDE

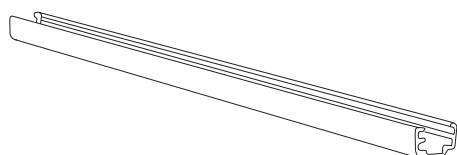
### LAGO2702 / LAGO2703

Unscaled format

#### CONTENT:

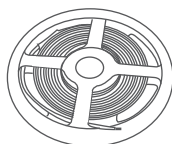


1x  
Profile  
LAGO2702 "C" / LAGO2703 "L"



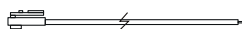
1x  
White plastic profile for led light 9.8'  
LJPC3000

#### SOLD SEPARATELY:



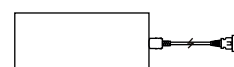
3M self-adhesive led light  
33ft

LJLED2835



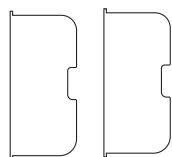
Cable connector  
6.5'

LJCONNECTOR



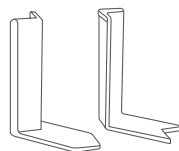
Power Supply  
18W / 24W / 36W / 60W

FL18W / FL24W / FL36W / FL60W



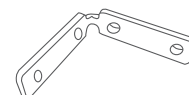
Gola Right-Left  
closed end caps profile

AB2702 "C" /  
AB2703 "L"



Gola int-ext 90°

E2702-03



Gola assembly  
brackets for "C"  
and "L" profiles

E2703-02

\*\* Approximate measurements and expressed in millimeters

# GOLA LED PROFILES

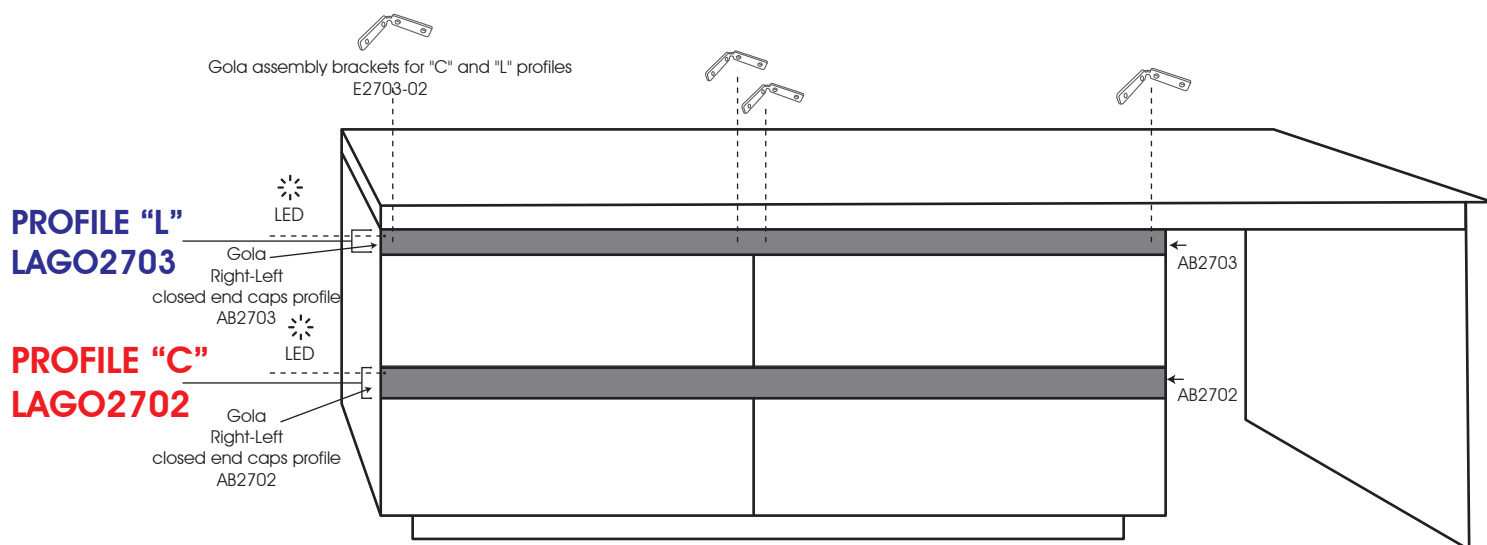


## INSTALLATION GUIDE

### LAGO2702 / LAGO2703

Unscaled format

#### OPTION A:



\*\* Approximate measurements and expressed in millimeters

# GOLA LED PROFILES

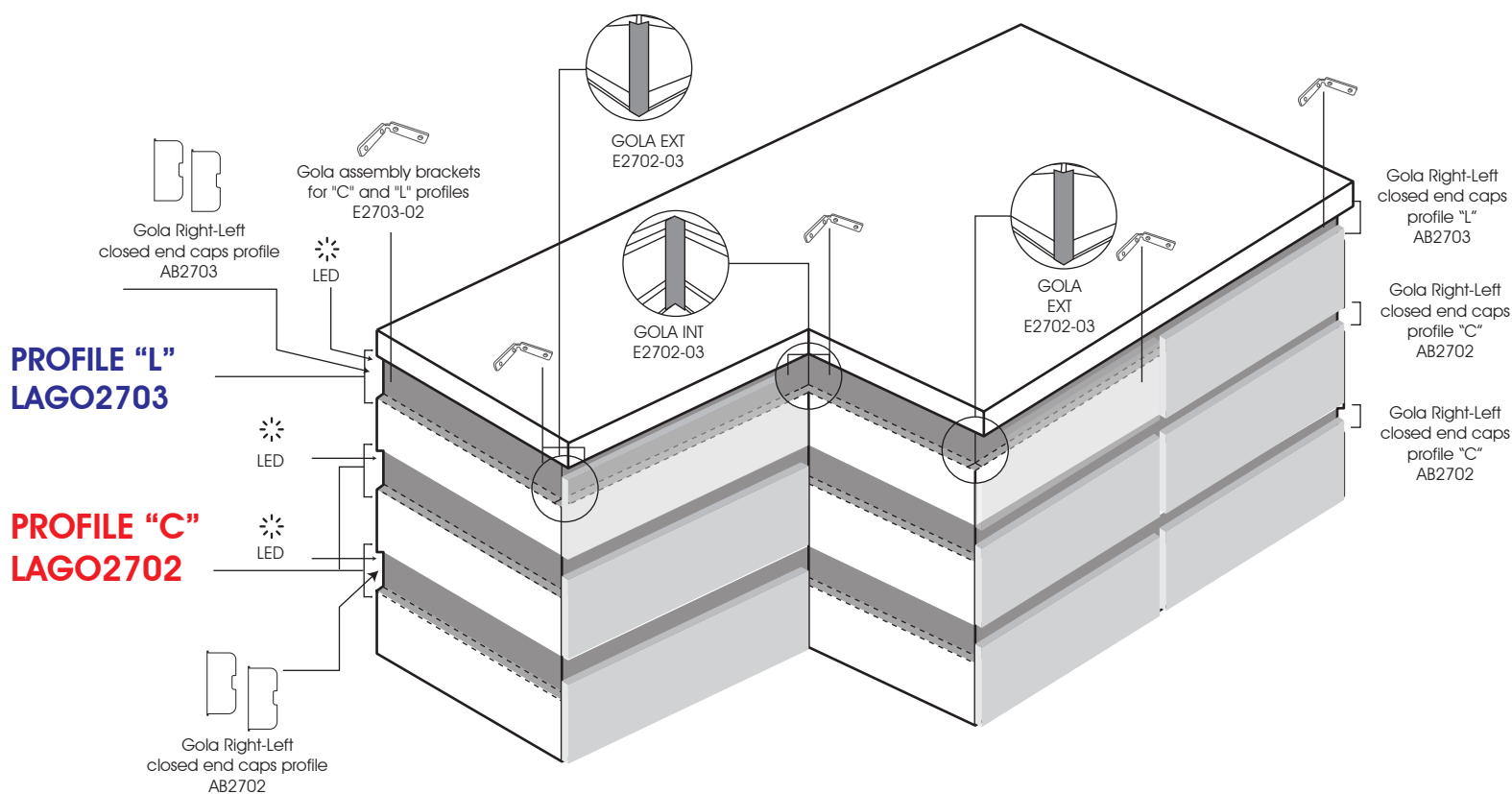


## INSTALLATION GUIDE

### LAGO2702 / LAGO2703

Unscaled format

#### OPTION B:



\*\* Approximate measurements and expressed in millimeters



# GOLA LED PROFILES



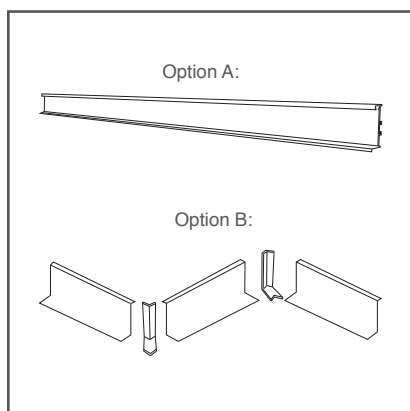
## INSTALLATION GUIDE

### LAGO2702 / LAGO2703

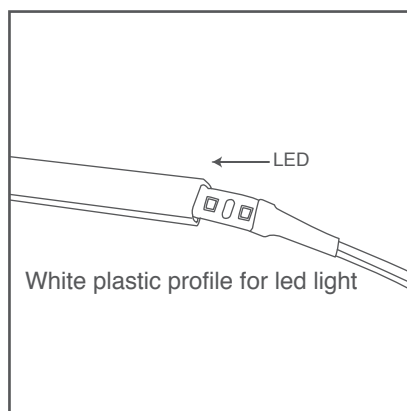
Unscaled format

#### 2.-Select the type of furniture

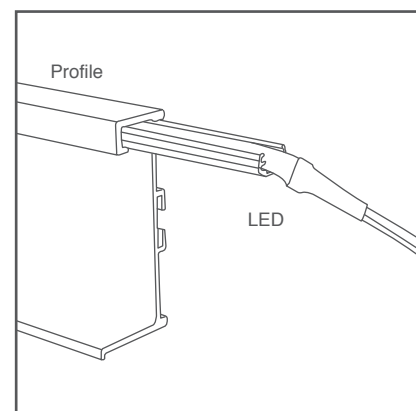
- Furniture - Option A
- Furniture - Option B (requires 45° cut in the profile)



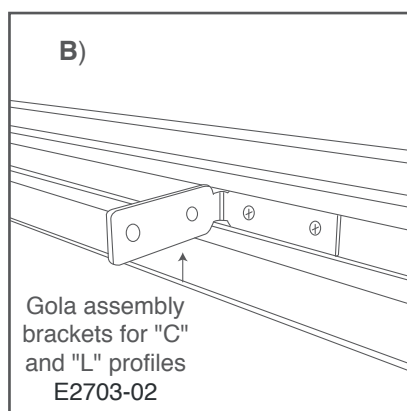
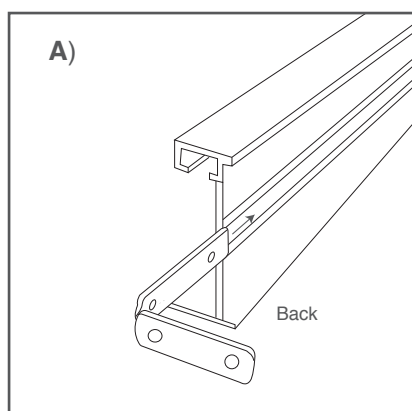
3.-Place the led light strip inside the led profile.  
(Depending on the desired size of the profile)



4.-Subsequently, place the led profile already with the light inside the Gola Profile



5.- Before placing the Profile on the furniture, insert the fixing brackets into the Rail, depending on the number of panels



\*\* Approximate measurements and expressed in millimeters

# GOLA LED PROFILES

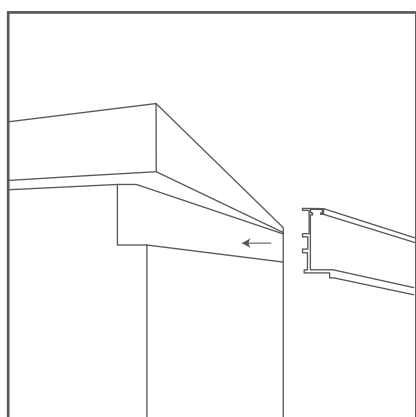


## INSTALLATION GUIDE

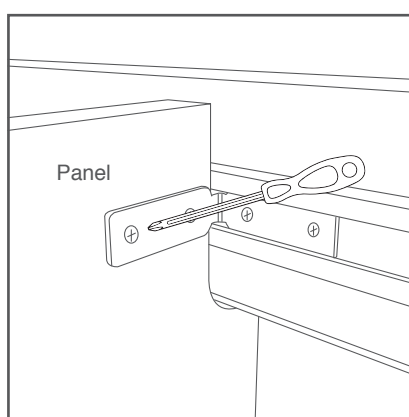
### LAGO2702 / LAGO2703

Unscaled format

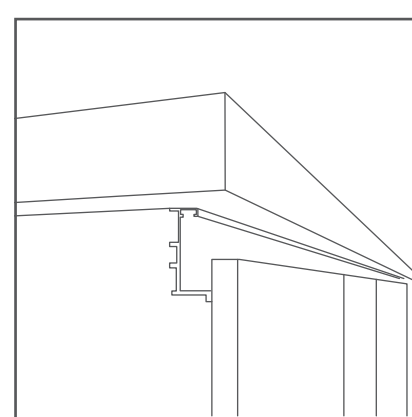
6.- Place the Profile on the furniture



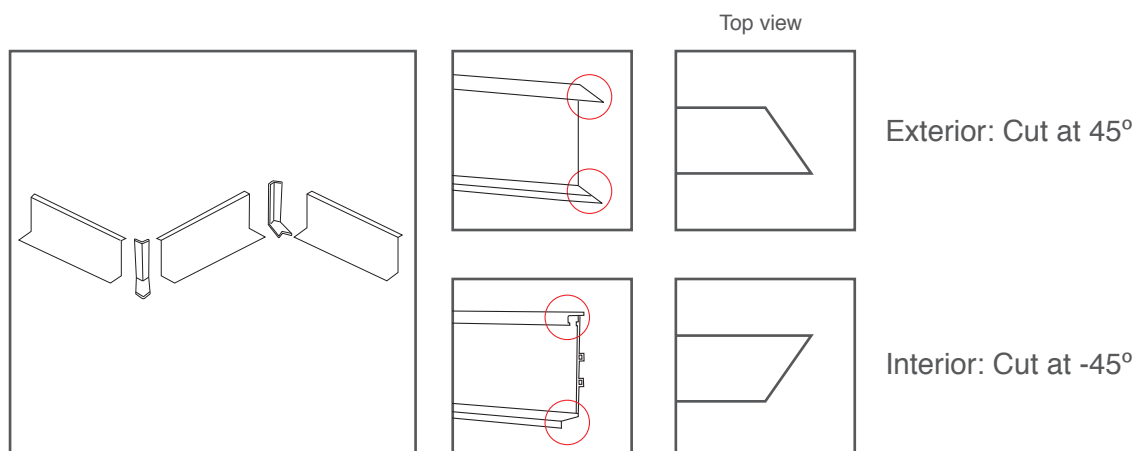
7.- Fix the profile to the furniture with the supports on each of the panels, previously drilled



View of the profile already placed on the furniture



8. **Option B**, it is necessary to make a 45° cut in each corner and then place the connectors decorative exterior / interior



\*\* Approximate measurements and expressed in millimeters

# GOLA LED PROFILES

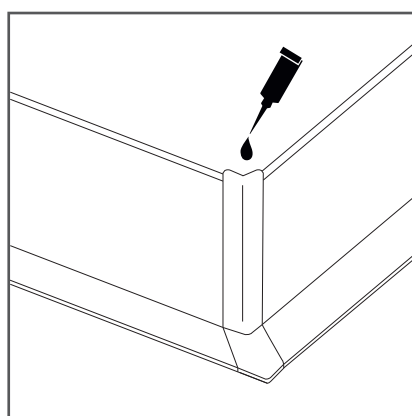


## INSTALLATION GUIDE

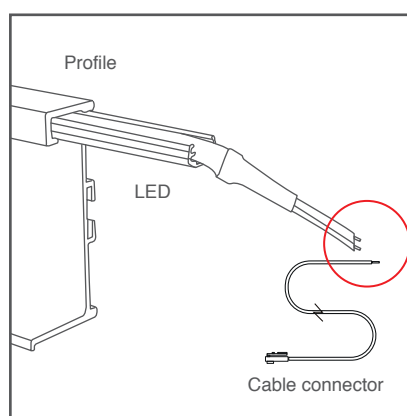
### LAGO2702 / LAGO2703

Unscaled format

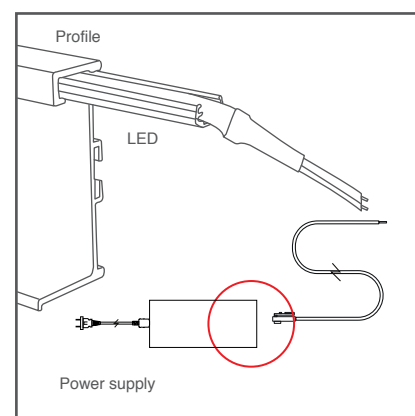
**9.-**Fix the connectors with silicone base glue



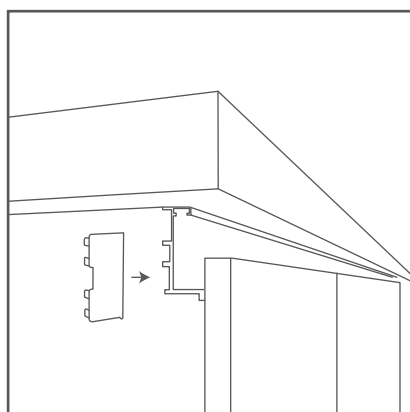
**10-** Once the Gola Profile is fixed to the furniture, join the connector cable, depending on the required distance



**11-** Next, connect the adapter depending on the inputs and then the power source to the light current



**12.-**Finally, snap on each of the left and right caps



\*\* Approximate measurements and expressed in millimeters