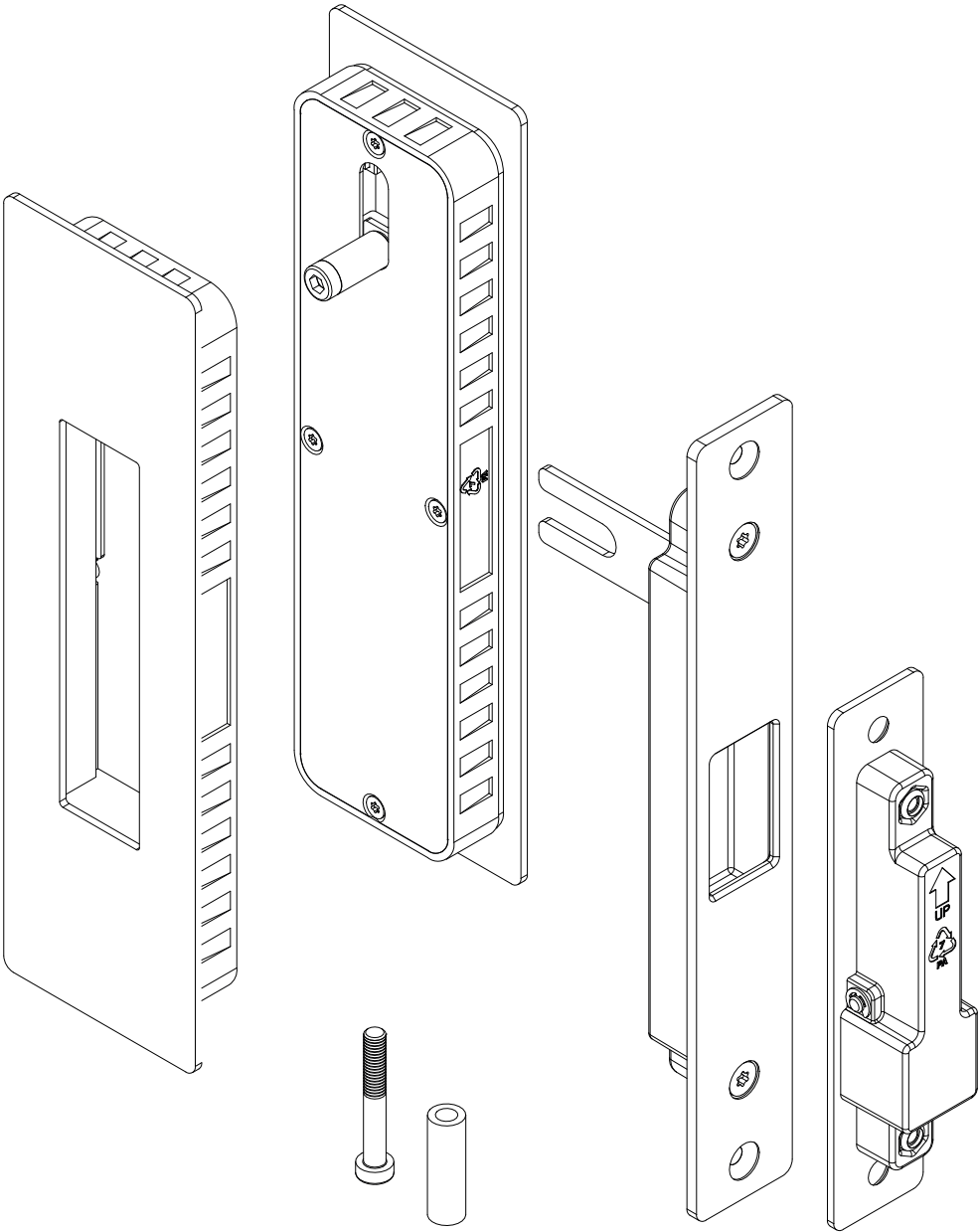


MAGNETIC SLIDING DOOR LOCK



Installation Guide

JK20925



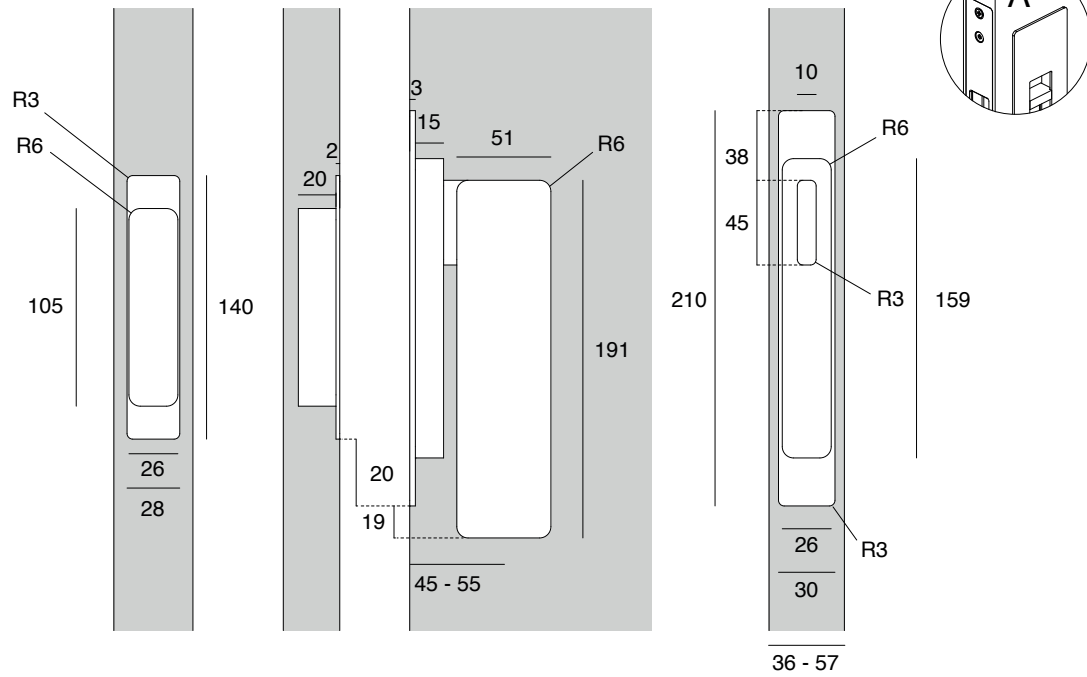
MAGNETIC SLIDING DOOR LOCK



Installation Guide

JK20925

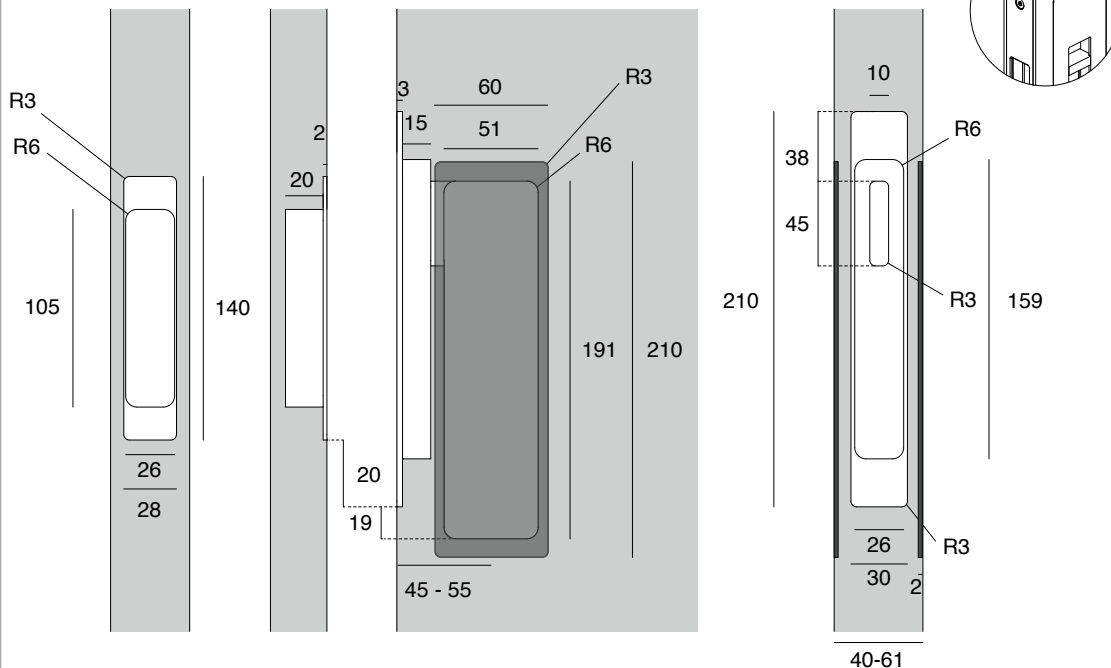
Cutout



Door thickness

A	36-45	46-57
B	40-49	50-61

Cutout



MAGNETIC SLIDING DOOR LOCK



Installation Guide

JK20925

1

Allen
4

Door thickness		
A	36-45	46-57
B	40-49	50-61

2

Let it fix

Follow curing time defined by the manufacturer

3

Let it fix

Follow curing time defined by the manufacturer

4

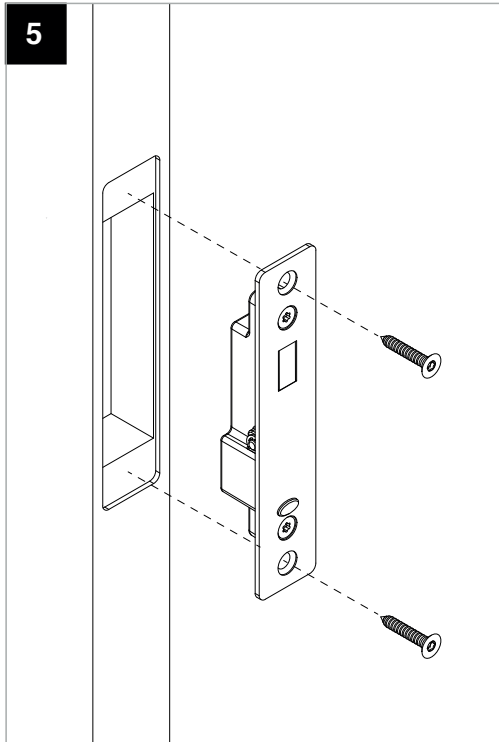
⚠

MAGNETIC SLIDING DOOR LOCK



Installation Guide

JK20925

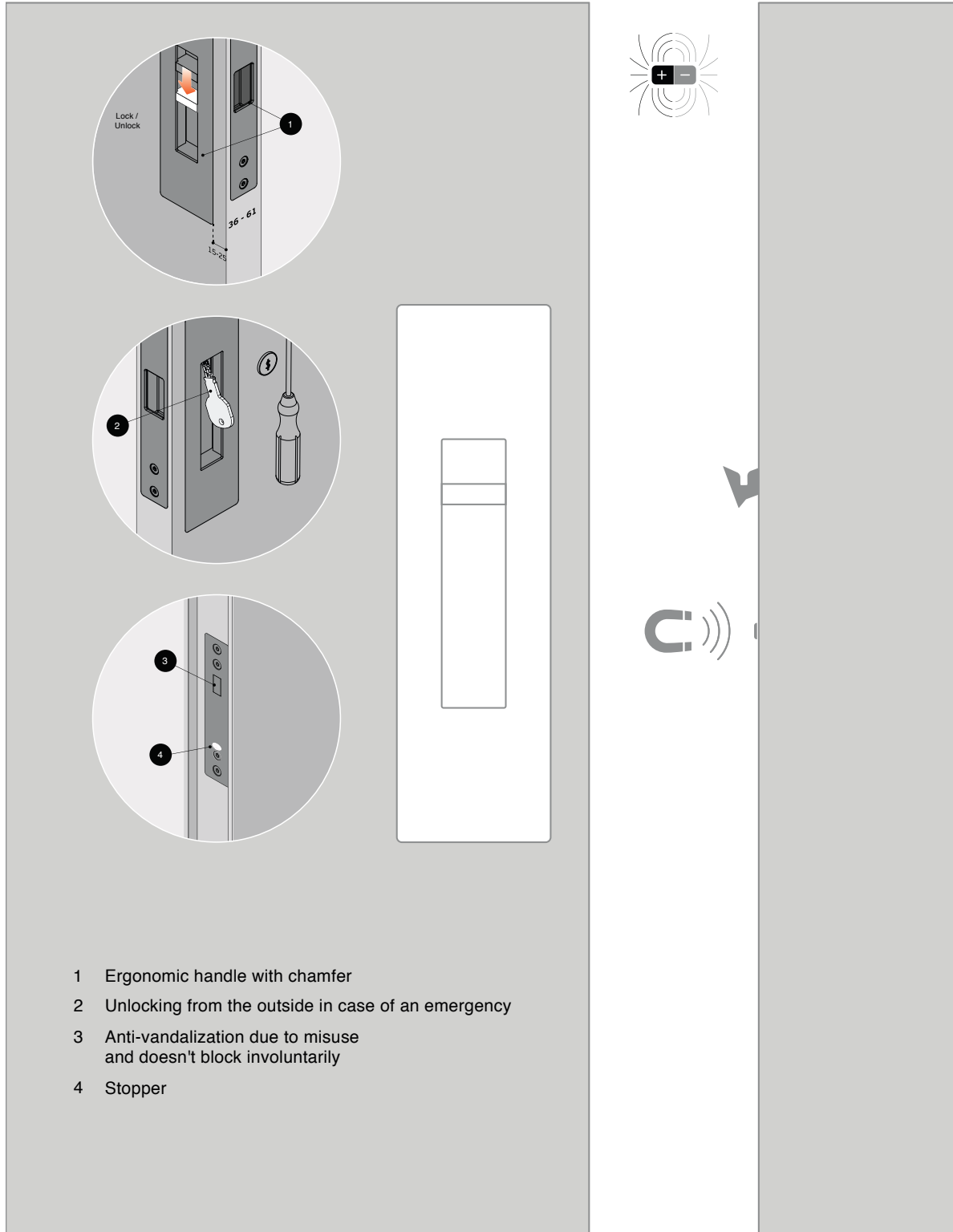


MAGNETIC SLIDING DOOR LOCK



Installation Guide

JK20925



- 1 Ergonomic handle with chamfer
- 2 Unlocking from the outside in case of an emergency
- 3 Anti-vandalization due to misuse and doesn't block involuntarily
- 4 Stopper