

# CORREDERAS

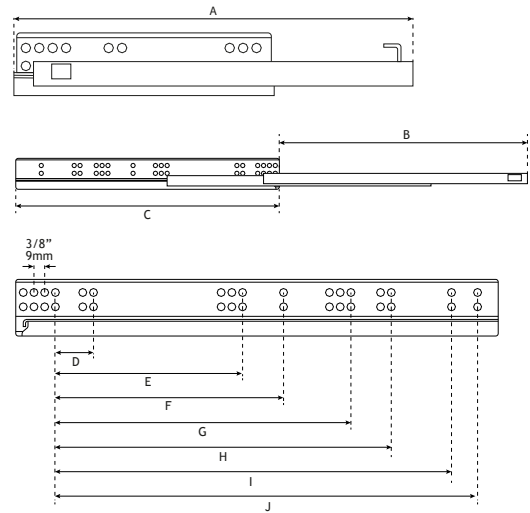
## CIERRE SUAVE 3D



### Guía de Instalación

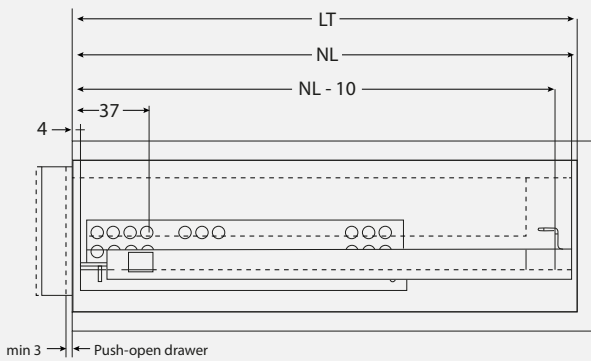
Formato sin escala

### S01

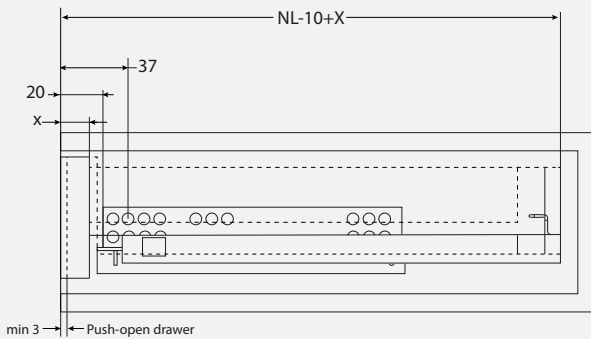


#### Installation Dimensions/ Dimensiones de la Instalación (mm)

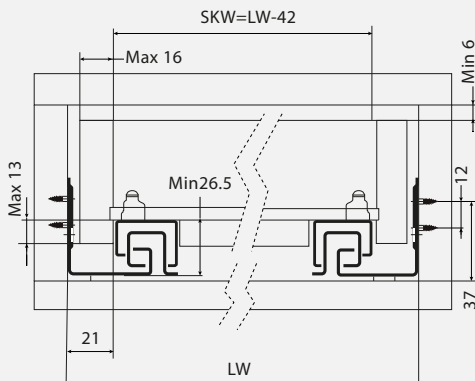
NL= Nominal Slide Length LT=Internal Cabinet Depth LT=NL+3  
**Standard drawer**



NL= Nominal Slide Length LT=Internal Cabinet Depth LT=NL+21  
**Inner drawer**



SKW=Internal Drawer Width LW=Internal Cabinet Width

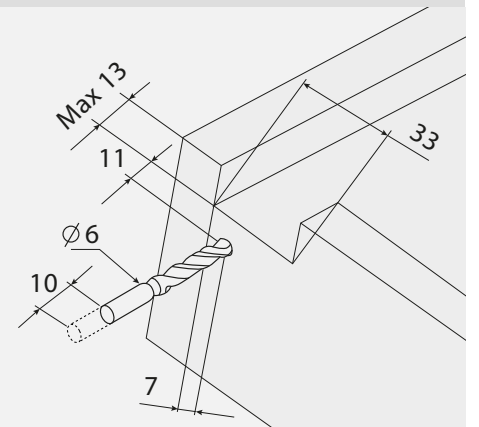


CODE/ CÓDIGO	A	B	C	D	E
S01-300H	11-13/16" / 300mm	9-1/2" / 242mm	10-3/8" / 263mm	1-1/4" / 32mm	5-1/16" / 128mm
S01-350H	13-3/4" / 350mm	10-7/8" / 277mm	11-11/16" / 297mm	1-1/4" / 32mm	5-1/16" / 128mm
S01-400H	15-3/2" / 400mm	12-15/16" / 329mm	125/16" / 313mm	1-1/4" / 32mm	5-1/16" / 128mm
S01-450H	17-11/16" / 450mm	14-13/16" / 376mm	13-5/16" / 338mm	1-1/4" / 32mm	5-1/16" / 128mm
S01-500H	19-11/16" / 500mm	16-3/4" / 426mm	14-5/16" / 363mm	1-1/4" / 32mm	5-1/16" / 128mm
S01-550H	21-5/8" / 550mm	18-3/4" / 476mm	14-15/16" / 380mm	1-1/4" / 32mm	5-1/16" / 128mm

F	G	H	I	J	
6-5/16" / 160mm	-	-	-	-	10
-	7-9/16" / 192mm	-	-	-	10
-	7-9/16" / 192mm	-	-	-	10
-	-	8-13/16" / 224mm	-	-	10
-	-	8-13/16" / 224mm	9-3/4" / 247mm	-	10
-	-	8-13/16" / 224mm	9-3/4" / 247mm	11-7/8" / 302mm	10

#### Drawer Back Preparation/ Preparación del cajón (mm)

##### Soft close drawer



#### Locking Device Installation/ Instalación del clip (mm)

