

CORREDERAS

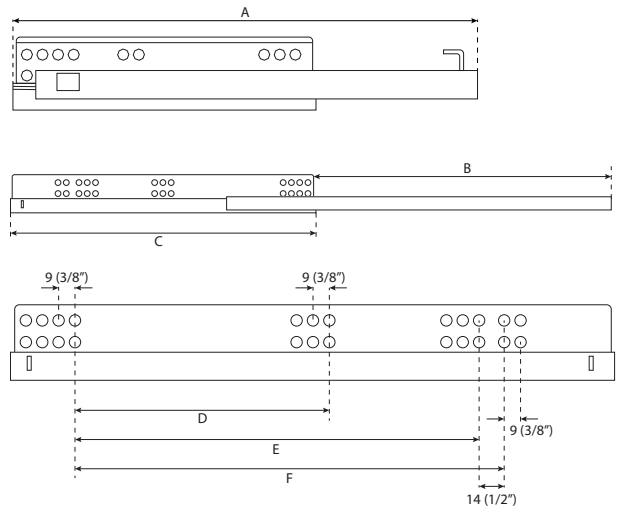
PUSH OPEN



Guía de Instalación

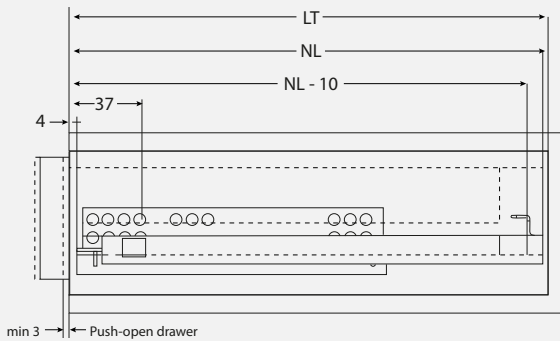
Formato sin escala

G02

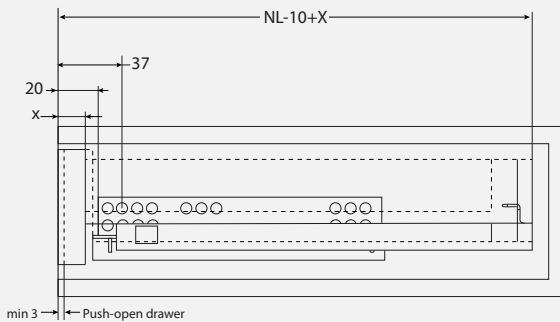


Installation Dimensions/ Dimensiones de la Instalación (mm)

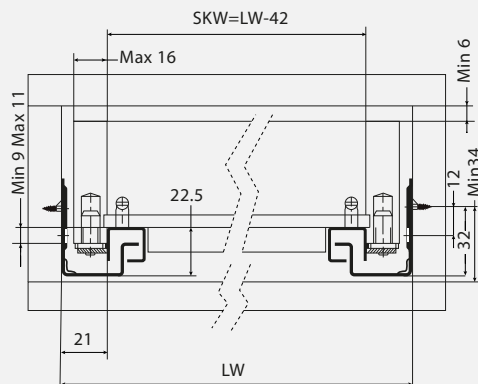
NL= Nominal Slide Length LT=Internal Cabinet Depth LT=NL+3
Standard drawer



NL= Nominal Slide Length LT=Internal Cabinet Depth LT=NL+21
Inner drawer



SKW=Internal Drawer Width LW=Internal Cabinet Width

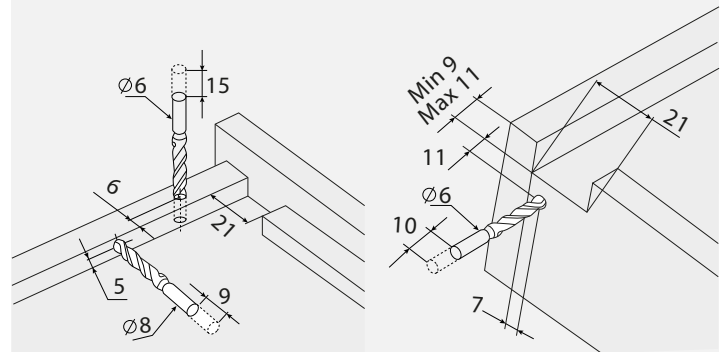


! Jalar el cajón puede dañar el correcto funcionamiento de la corredera/
 You could break the correct operation if you pull the drawer

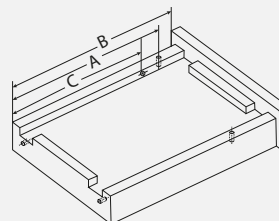
CODE/CÓDIGO	A	B	C
G02-400	15-3/2" / 400mm	11-1/4" / 285mm	9-11/16" / 246mm
G02-450	17-11/16" / 450mm	13-3/16" / 335mm	10-15/16" / 278mm
G02-500	19-11/16" / 500mm	15-1/8" / 384mm	11-5/8" / 295mm
G02-550	21-5/8" / 550mm	16-7/16" / 417mm	13" / 330mm

	D	E	F	
	5-1/16" / 128mm	-	-	10
	5-1/16" / 128mm	8-13/16" / 224mm	-	10
	-	8-13/16" / 224mm	9-3/8" / 238mm	10
	-	8-13/16" / 224mm	9-3/8" / 238mm	10

Drawer Back Preparation/ Preparación del cajón (mm)



Push-open drawer/ Cajón push-open



NL (mm)	B (mm)	A (mm)	C (mm)
250	240	221	189
270	260	241	209
300	290	271	239
350	340	321	289
400	390	371	339
450	440	421	389
500	490	471	439
550	540	521	489
600	590	571	539