

# CORREDERAS

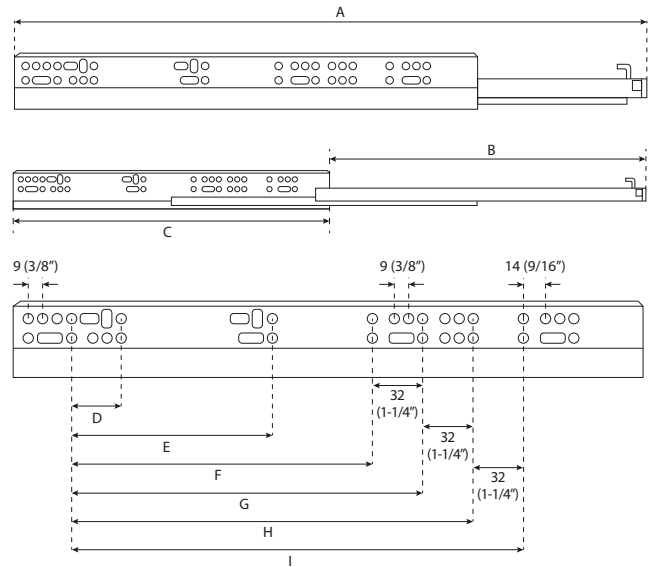
## CIERRE SUAVE-PUSH OPEN



### Guía de Instalación

Formato sin escala

### BB3301

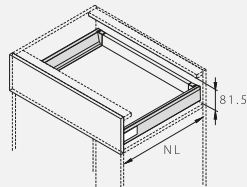


**!** Jalar el cajón puede dañar el correcto funcionamiento de la corredera/  
You could break the correct operation if you pull the drawer

CODE/ CÓDIGO	A	B	C	D	E	F	G	H	I	
BB3301-400	15-3/4" / 400mm	11-5/16" / 288mm	9-11/16" / 246mm	1-1/4" / 32mm	5-1/16" / 8mm	7-9/16" / 192mm	8-13/16" / 224mm	-	-	10
BB3301-450	17-11/16" / 450mm	15-7/16" / 392mm	15-3/8" / 390mm	1-1/4" / 32mm	5-1/16" / 128mm	7-9/16" / 192mm	8-13/16" / 224mm	10-1/16" / 256mm	-	10
BB3301-500	19-11/16" / 500mm	17-3/8" / 442mm	15-3/8" / 390mm	1-1/4" / 32mm	5-1/16" / 128mm	7-9/16" / 192mm	8-13/16" / 224mm	10-1/16" / 256mm	11-5/16" / 288mm	10

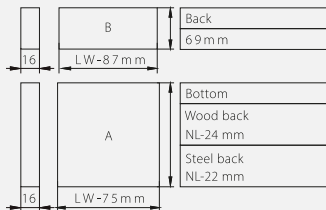
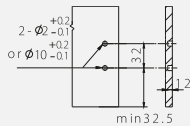
#### Space requirement/ Requerimiento de espacio

NL= Nominal Slide Length

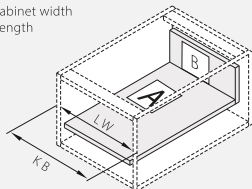


#### Drawer dimensions/ Dimensiones del cajón (mm)

Drawer front

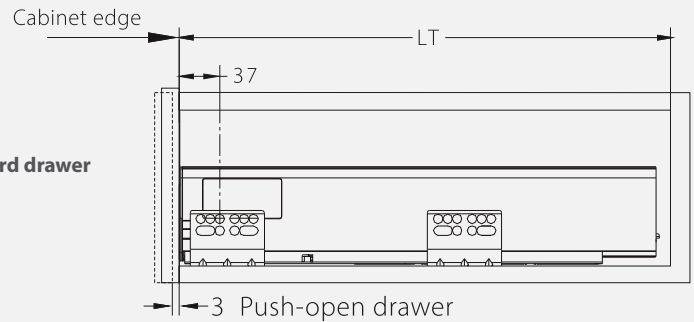


KB=Cabinet width  
LW=Internal cabinet width  
NL=Nominal length



#### Installation Dimensions/ Dimensiones de la Instalación (mm)

NL= Nominal Slide Length LT=Internal Cabinet Depth LT=NL+3



#### Standard drawer

