



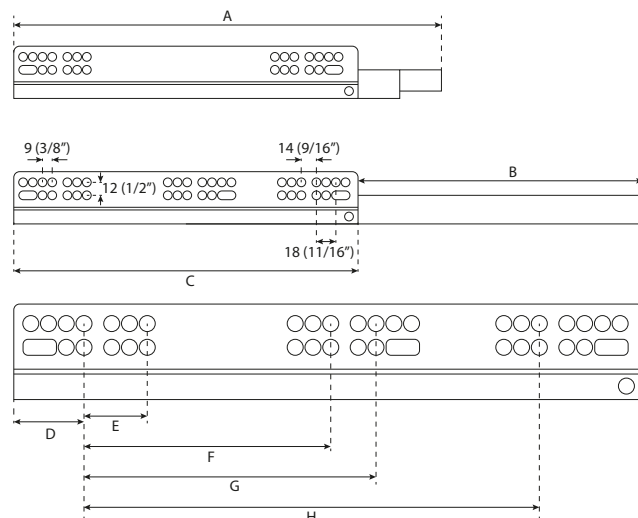
# CORREDERAS

## CIERRE SUAVE

### Guía de Instalación

Formato sin escala

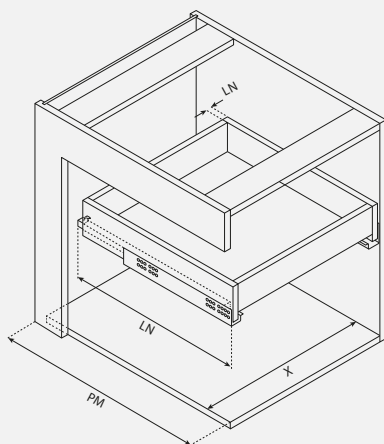
## 75550



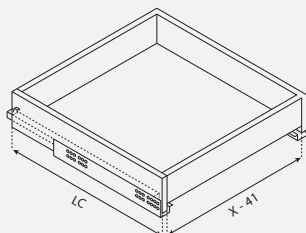
CODE/CÓDIGO	A	B	C	D	E	F	G	H	
75550380	14-15/16" / 380mm	13-1/4" / 336mm	15-3/8" / 390mm	1-3/8" / 35mm	1-1/4" / 32mm	5-1/16" / 128mm	6-5/16" / 160mm	-	5
75550450	17-11/16" / 450mm	16-5/16" / 414mm	18-3/8" / 466mm	1-3/8" / 35mm	1-1/4" / 32mm	5-1/16" / 128mm	6-5/16" / 160mm	8-13/16" / 224mm	5
75550550	21-5/8" / 550mm	19-1/8" / 486mm	17-3/8" / 442mm	1-3/8" / 35mm	1-1/4" / 32mm	8-13/16" / 224mm	10-1/16" / 256mm	-	5

#### Drawer preparation / Preparación cajón

SP= Espesor del cajón  
 LN= Longitud nominal guía  
 PM= Profundidad del mueble  
 X= Anchura interna del mueble



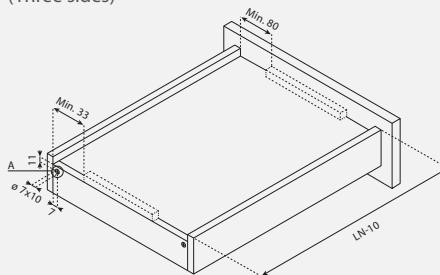
Medidas del cajón  
 LC= Longitud guía - 10mm  
 X-41= Anchura interna del cajón



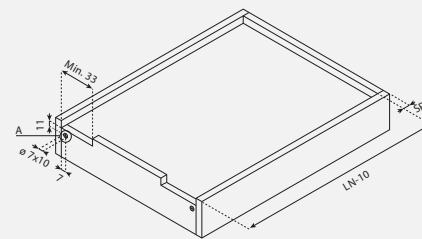
#### Drawer perforation / Perforación del cajón

##### Under drawer

Drawer with frontal side  
 (Three sides)

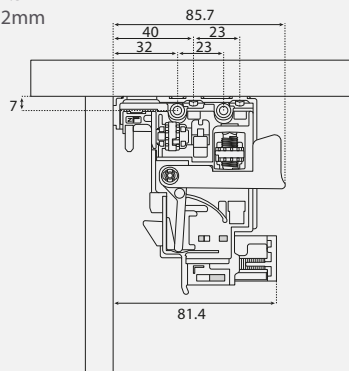


Inner drawer  
 (Four sides)



COD. 75000010100

**3 regulation**  
 Vertical +2.5mm  
 Lateral ±1.5mm  
 Frontal ±2mm



COD. 71000010100

**1 regulation**  
 Height regulation + 2.5mm

