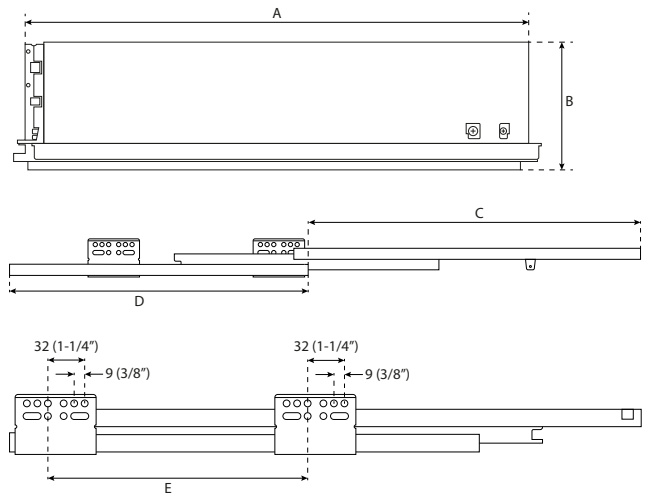


CORREDERAS

CIERRE SUAVE H127mm



Guía de Instalación

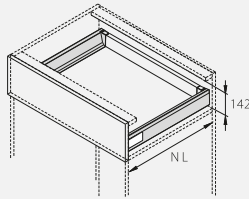
Formato sin escala

908HB02

CODE/ CÓDIGO	COLOR	A	B	C	D	E	
908HB024504AG	Gray / Gris	17-11/16" / 450mm	5" / 127mm	14-5/8" / 372mm	14-3/4" / 375mm	8-13/16" / 224mm	1
908HB025004AG	Gray / Gris	19-11/16" / 500mm	5" / 127mm	16-3/4" / 426mm	14-3/4" / 375mm	8-13/16" / 224mm	1
908HB025504AG	Gray / Gris	21-5/8" / 550mm	5" / 127mm	18-1/2" / 470mm	16-5/16" / 415mm	8-13/16" / 224mm	1
908HB024504AW	White / Blanco	17-11/16" / 450mm	5" / 127mm	14-5/8" / 372mm	14-3/4" / 375mm	8-13/16" / 224mm	1
908HB025004AW	White / Blanco	19-11/16" / 500mm	5" / 127mm	16-3/4" / 426mm	14-3/4" / 375mm	8-13/16" / 224mm	1
908HB025504AW	White / Blanco	21-5/8" / 550mm	5" / 127mm	18-1/2" / 470mm	16-5/16" / 415mm	8-13/16" / 224mm	1

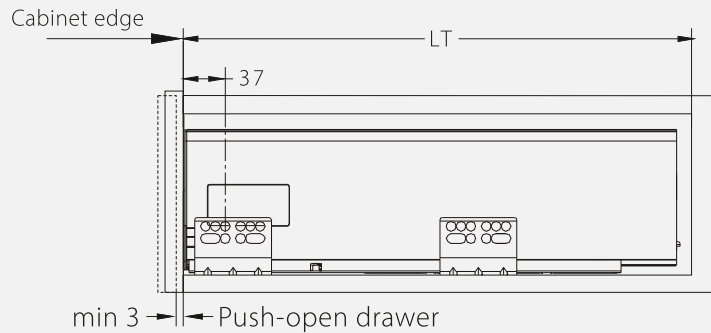
Space requirement

NL= Nominal Length



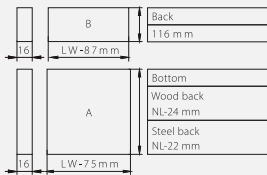
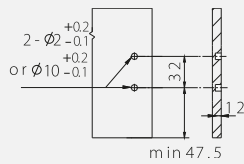
Installation dimensions (mm)

NL= Nominal Slide Length
LT= Internal Cabinet Depth
LT= NL+3



Drawer front, back and bottom dimensions (mm)

Drawer front



KB=Cabinet width
LW=Internal cabinet width
NL=Nominal length

