

CORREDERAS

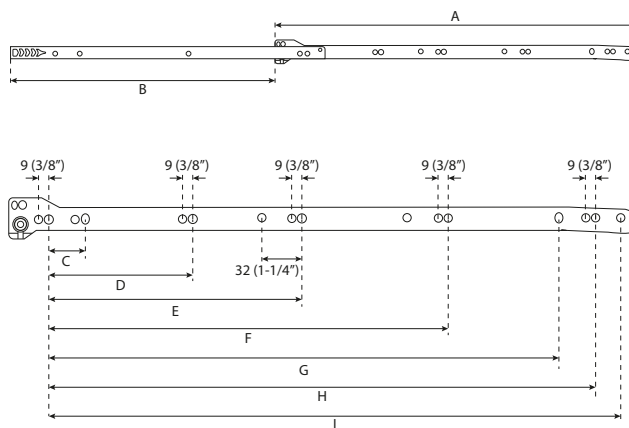


CORREDERA ECO

Guía de Instalación

Formato sin escala

A



CODE/ CÓDIGO	A	B	C	D	E	F	G	H	I	
A129-A	11-13/16" / 300mm	8-11/16" / 220mm	1-1/4" / 32mm	5-1/16" / 128mm	8-13/16" / 224mm	-	-	-	-	20
A149-A	13-3/4" / 350mm	10-9/16" / 269mm	1-1/4" / 32mm	5-1/16" / 128mm	8-13/16" / 224mm	-	-	-	-	20
A169-A	15-3/4" / 400mm	12-1/2" / 318mm	1-1/4" / 32mm	5-1/16" / 128mm	8-13/16" / 224mm	-	-	-	-	20
A189-A	17-11/16" / 450mm	14-1/8" / 358mm	1-1/4" / 32mm	5-1/16" / 128mm	8-13/16" / 224mm	13-7/8" / 352mm	-	-	-	20
A209-A	19-11/16" / 500mm	15-11/16" / 399mm	1-1/4" / 32mm	5-1/16" / 128mm	8-13/16" / 224mm	13-7/8" / 352mm	17-5/8" / 448mm	-	-	20
A229-A	21-5/8" / 550mm	17-7/16" / 443mm	1-1/4" / 32mm	5-1/16" / 128mm	8-13/16" / 224mm	13-7/8" / 352mm	17-5/8" / 448mm	18-7/8" / 480mm	-	20
A249-A	23-5/8" / 600mm	19-1/2" / 495mm	1-1/4" / 32mm	5-1/16" / 128mm	8-13/16" / 224mm	13-7/8" / 352mm	17-5/8" / 448mm	18-7/8" / 480mm	21-7/16" / 544mm	20

Space requirement

NL= Nominal Length

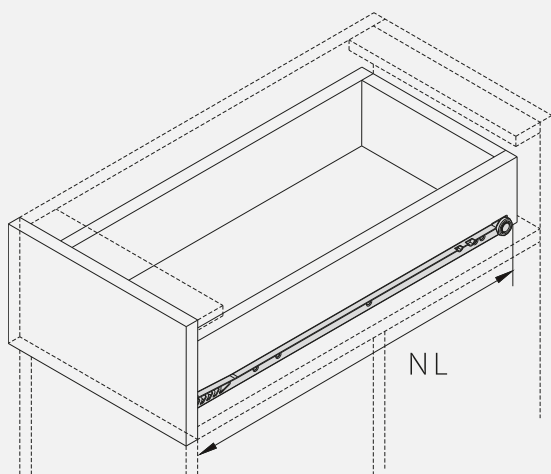
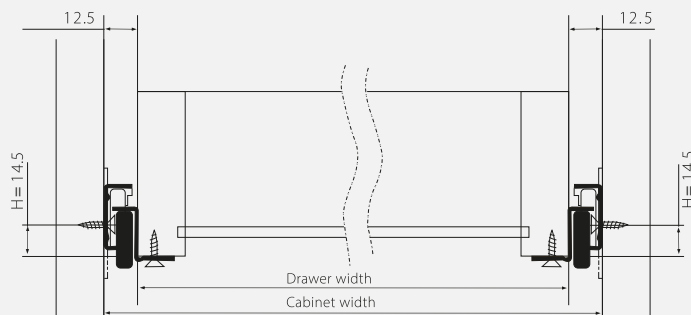


Illustration Dimensions (mm)



Drawer

