

# LADDER PULL HANDLES

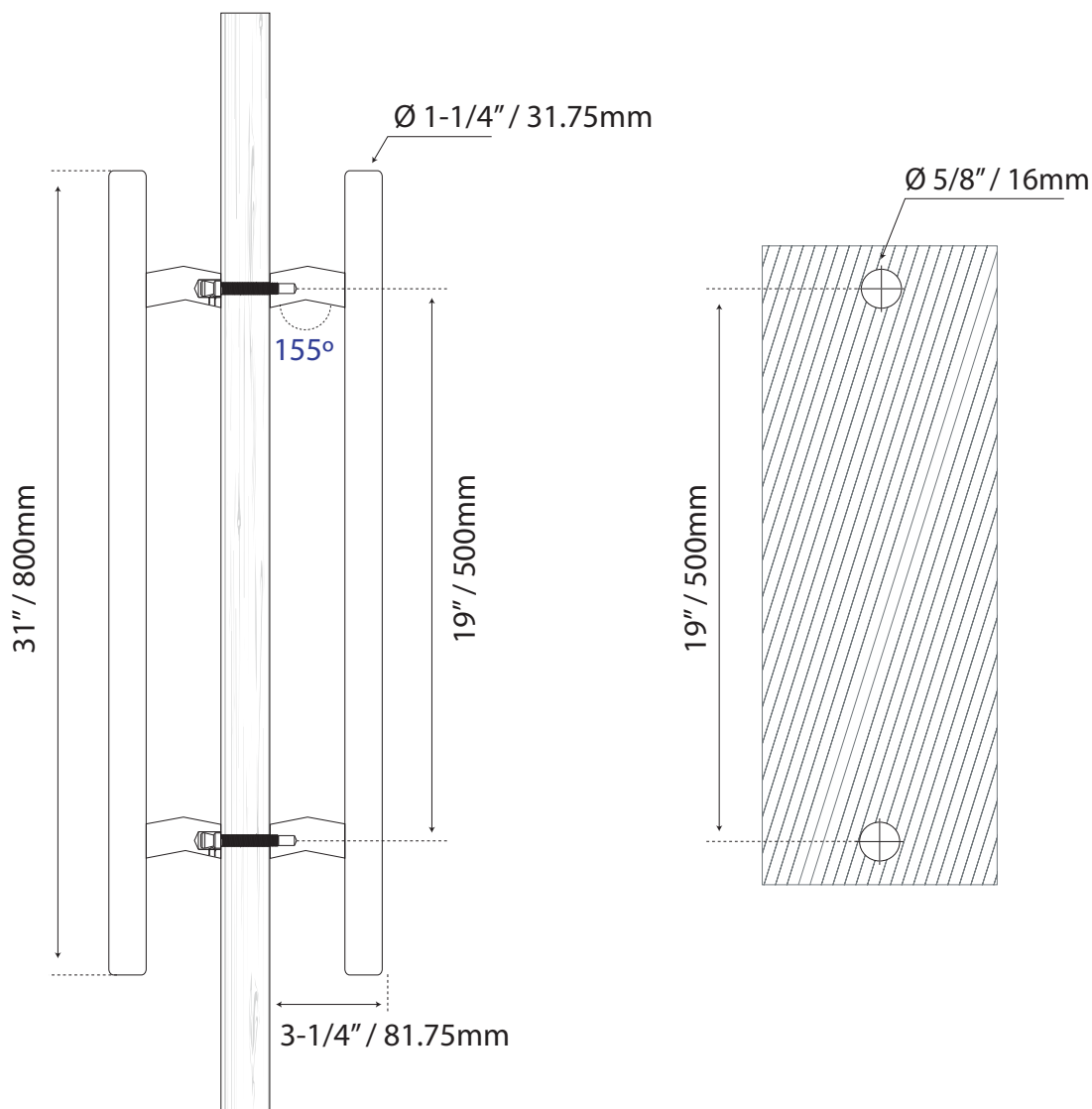
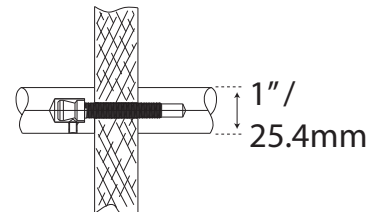
## OFFSET LADDER PULL HANDLE BACK-TO-BACK



Cod.CHCP042-500PSS

Cutting guide

SOLID



Unscaled format