

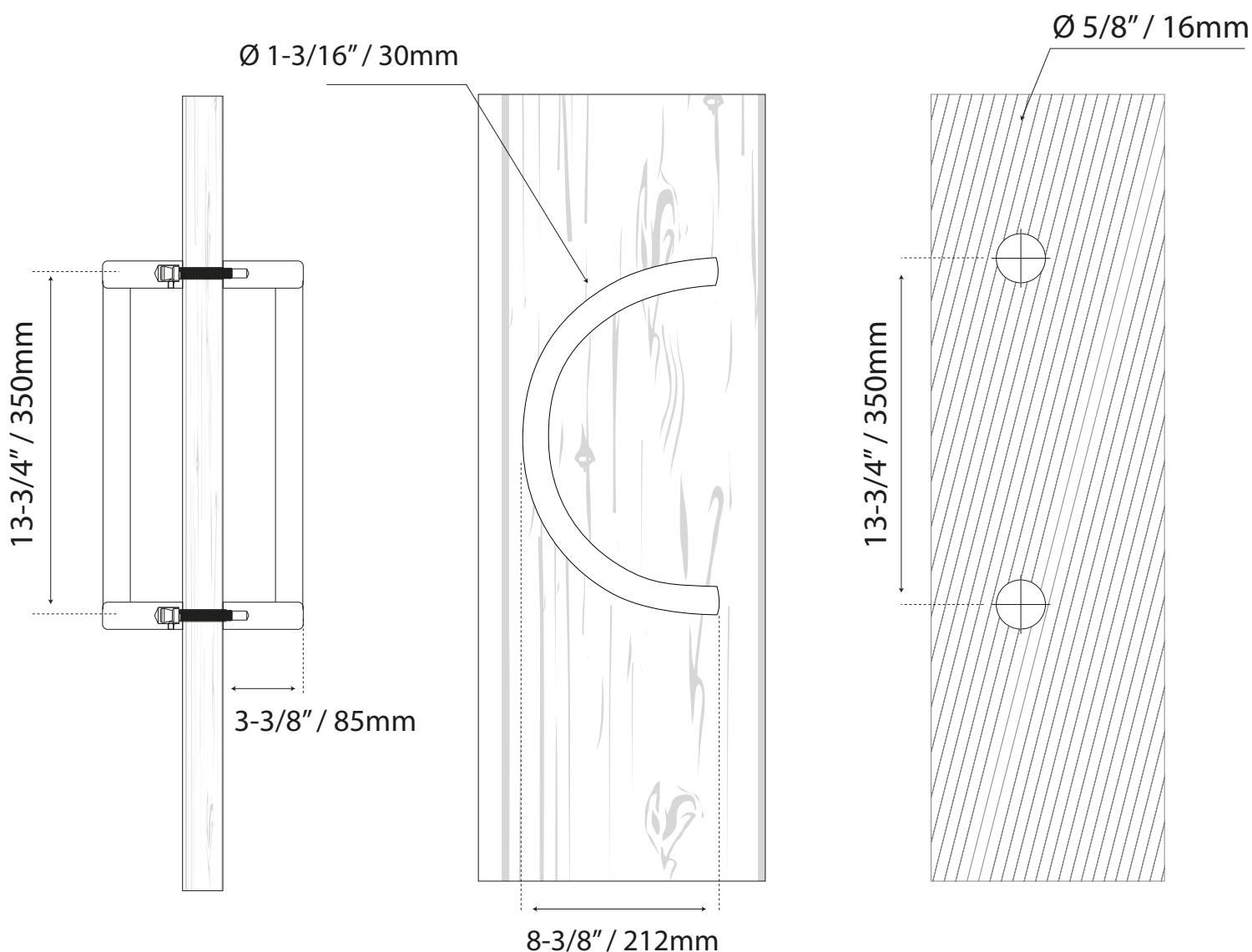
# LADDER PULL HANDLES

C-SHAPED OFFSET PULL HANDLE BACK-TO-BACK  
SATIN STAINLESS STEEL



COD. CHCP008

Cutting guide



unscaled format