

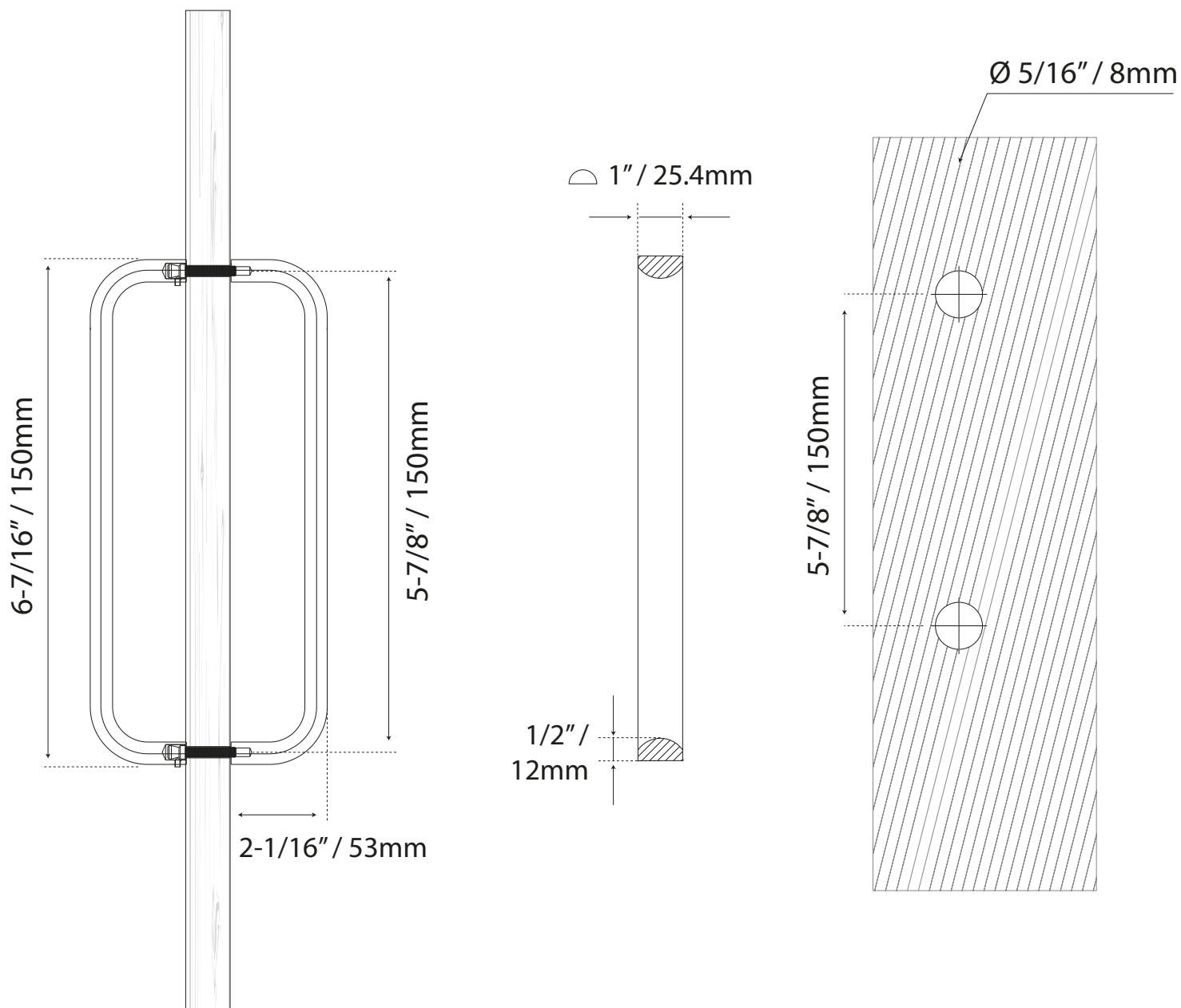
LADDER PULL HANDLES

"C" SOLID FLAT DOOR PULL SINGLE-SIDED
STAINLESS STEEL



COD. VS-043

Cutting guide



unscaled format